



Everyday Activity Seat

Spare Parts Catalogue



Supporting
Children

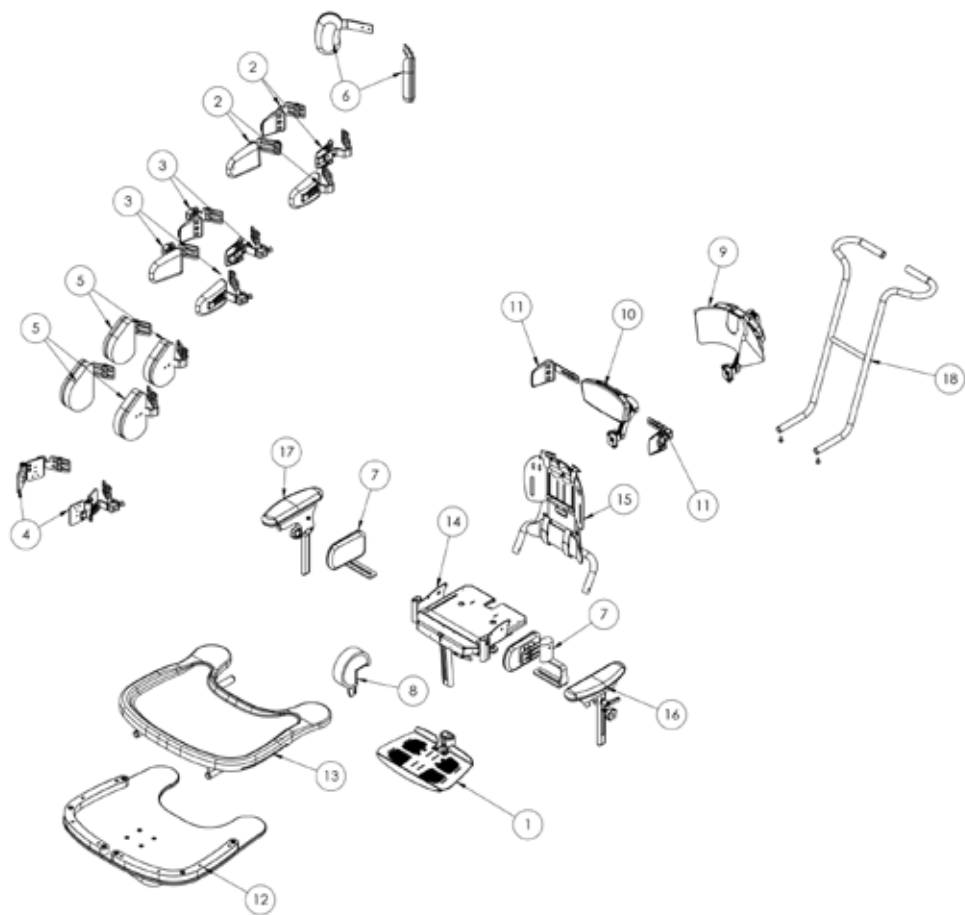


Everyday Activity Seat

Contents

03-06	Seat Assembly (Size 1 & 2)
07-09	Seat Assembly (Size 3)
10	Armrest Assembly
11	Seatbase Parts (Size 1 & 2)
12	Seatbase Parts (Size 3)
13	Removable Push Handle (Size 1 & 2)
14	Removable Push Handle (Size 3)
15	Backrest Parts
16	Footplate Assembly (Size 1 & 2)
17	Footplate Assembly (Size 3)
18-19	Cushions
20-21	Basic Chassis
22	Hi-low Chassis (Size 1 & 2)
23	Powered Chassis (Size 2)
24	Hydraulic Chassis (Size 3)

Everyday Activity Seat Spare Parts- Seat Assembly (Size 1 & 2)



Everyday Activity Seat Spare Parts- Seat Assembly (Size 1 & 2)

Pos.	Leckey Sales Code	Description	Compatible with	
			Size 1	Size 2
1	151-1745	Size 1 One piece footplate - metal (Black)	●	
1	151-2745	Size 2 One piece footplate - metal (Black)		●
1	151-1746	Size 1 One piece footplate - Wooden	●	
2	151-6123	Size 1 One piece footplate - metal (White)	●	
2	151-6223	Size 2 One piece footplate - metal (White)		●
2	151-6106-XX	Size 1 Rigid PU chest laterals pair (cover included) (Black)	●	
2	151-6107-XX	Size 1 Rigid PU chest laterals pair (cover included) (White)	●	
2	151-6106-XXVIN	Size 1 Rigid PU chest laterals pair (cover included) (Black)	●	
2	151-6107-XXVIN	Size 1 Rigid PU chest laterals pair (cover included) (White)	●	
2	151-6210-XX	Size 2 Rigid PU chest laterals pair (cover included) (Black)		●
2	151-6211-XX	Size 2 Rigid PU chest laterals pair (cover included)(White)		●
2	151-6210-XXXVIN	Size 2 Rigid PU chest laterals pair (cover included) (Black)		●
2	151-6211-07VIN	Size 2 Rigid PU chest laterals pair (cover included)(White)		●
2	151-8108-XX	S1 Rigid/Flipaway chest lateral cover (pair)	●	●
2	151-8108-XXVIN	S1 Rigid/Flipaway chest lateral cover (pair)	●	●
3	151-6108-XX	Size 1 flip away PU chest laterals pair (cover included) (Black)	●	
3	151-6109-XX	Size 1 flip away PU chest laterals pair (cover included)(White)	●	
3	151-6108-XXVIN	Size 1 flip away PU chest laterals pair (cover included) (Black)	●	
3	151-6109-XXVIN	Size 1 flip away PU chest laterals pair (cover included)(White)	●	
3	151-6212-XX	Size 2 flip away PU chest laterals pair (cover included) (Black)		●
3	151-6213-XX	Size 2 flip away PU chest laterals pair (cover included)(White)		●
3	151-6212-XXVIN	Size 2 flip away PU chest laterals pair (cover included) (Black)		●
3	151-6213-XXVIN	Size 2 flip away PU chest laterals pair (cover included)(White)		●
3	151-8208-XX	S2 Rigid/Flipaway chest lateral cover (pair)	●	●
3	151-8208-XXVIN	S2 Rigid/Flipaway chest lateral cover (pair)	●	●
4	151-1757	Size 1 complex flipaway laterals pair (Horizontal) (Black)	●	
4	151-2757	Size 2 complex flipaway laterals pair (Horizontal) (Black)		●
4	151-6110	Size 1 complex flipaway laterals pair (Horizontal)(White)	●	
4	151-6215	Size 2 complex flipaway laterals pair (Horizontal)(White)		●

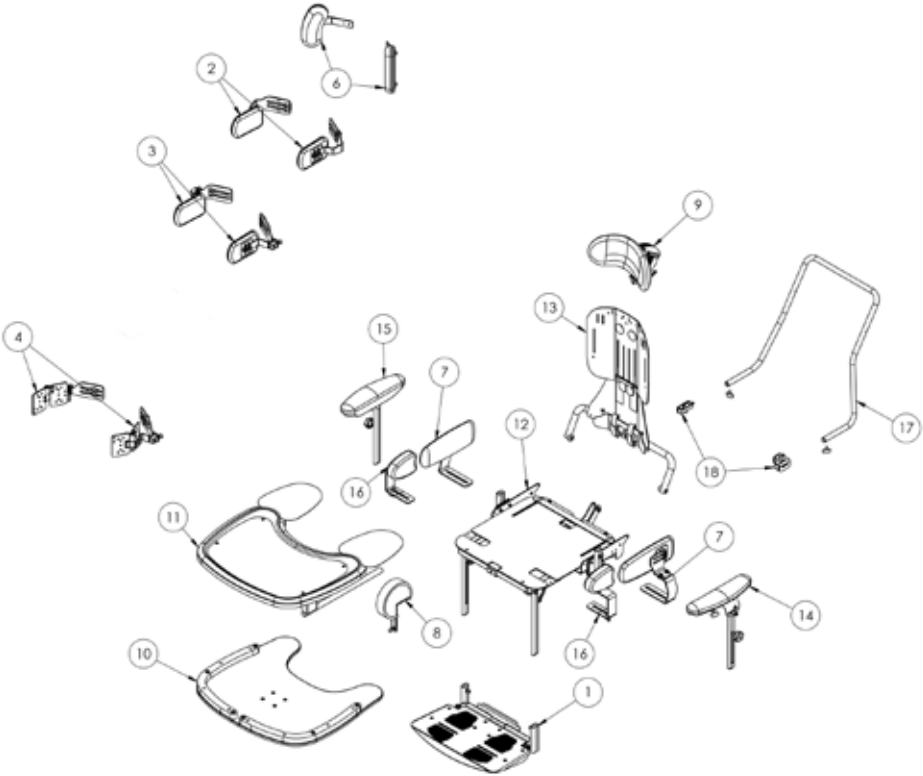
Everyday Activity Seat Spare Parts- Seat Assembly (Size 1 & 2)

Pos.	Leckey Sales Code	Description	Compatible with	
			Size 1	Size 2
6	151-6218-XX	Size 1 and 2 Protraction Pad pair (cover included){Black}	●	●
6	151-6219-XX	Size 1 and 2 Protraction Pad pair (cover included){White}	●	●
6	151-6218-XXVIN	Size 1 and 2 Protraction Pad pair (cover included){Black}	●	●
6	151-6219-XXVIN	Size 1 and 2 Protraction Pad pair (cover included){White}	●	●
7	151-1754 Size 1	Side pads (Pair - hardware only) (Black)	●	
7	151-2754 Size 2	Side pads (Pair - hardware only) (Black)		●
7	151-6113 Size 1	Side pads (Pair - hardware only) White	●	
7	151-6220 Size 2	Side pads (Pair - hardware only) White		●
7	151-6114-XX	Size 1 Side pads cover (pair)	●	
7	151-6114-XXVIN	Size 1 Side pads cover (pair)	●	
7	151-6221-XX	Size 2 Side pads cover (pair)		●
7	151-6221-XXVIN	Size 2 Side pads cover (pair)		●
8	151-6118-XX	Size 1 Pommel (Cover included) (Black)	●	
8	151-6119-XX	Size 1 Pommel (Cover included){White}	●	
8	151-6118-XXVIN	Size 1 Pommel (Cover included) (Black)	●	
8	151-6119-XXVIN	Size 1 Pommel (Cover included){White}	●	
8	151-6227-XX	Size 2 Pommel (Cover included) (Black)		●
8	151-6228-XX	Size 2 Pommel (Cover included){White}		●
8	151-6227-XXVIN	Size 2 Pommel (Cover included) (Black)		●
8	151-6228-XXVIN	Size 2 Pommel (Cover included){White}		●
9	151-6105-XX	Contoured headrest S1	●	
9	151-6105-XXVIN	Contoured headrest S1	●	
9	151-6207-XX	Contoured headrest S2		●
9	151-6207-XXVIN	Contoured headrest S2		●
10	151-6208-XX	Flat headrest hardware and cover (Black)	●	●
10	151-6208-XXVIN	Flat headrest hardware and cover (Black)	●	●
11	151-6209-XX	Flat headrest laterals assembly & covers (Black)	●	●
11	151-6209-XXVIN	Flat headrest laterals assembly & covers (Black)	●	●
12	151-6122	Size 1 Tray Wooden Flipaway	●	
12	151-6231	Size 2 Tray Wooden Flipaway		●
13	151-1644	Size 1 Tray Plastic	●	
13	151-2644	Size 2 Tray Plastic		●

Everyday Activity Seat Spare Parts- Seat Assembly (Size 1 & 2)

Pos.	Leckey Sales Code	Description	Compatible with	
			Size 1	Size 2
14	151-8124	Seatbase Assembly S1 (Black)	●	
14	151-8125	Seatbase Assembly S1(White)	●	
14	151-8224	Seatbase Assembly S2 (Black)		●
14	151-8225	Seatbase Assembly S2(White)		●
14	151-8277	Extended Seatbase Assembly S2 (Black)		●
14	151-8278	Extended Seatbase Assembly S2(White)		●
15	151-8126	Backrest Assembly S1 (Black)	●	
15	151-8127	Backrest Assembly S1(White)	●	
15	151-8226	Backrest Assembly S2 (Black)		●
15	151-8227	Backrest Assembly S2(White)		●
16	151-8128	Size 1 armrest (LH) (Black)	●	
16	151-8129	Size 1 armrest (LH) (White)	●	
16	151-8228	Size 2 armrest (LH) (Black)		●
16	151-8229	Size 2 armrest (LH)(White)		●
17	151-8130	Size 1 armrest (RH) (Black)	●	
17	151-8131	Size 1 armrest (RH)(White)	●	
17	151-8230	Size 2 armrest (RH) (Black)		●
17	151-8231	Size 2 armrest (RH)(White)		●
18	151-8271	Removable handle bar Assy-Black	●	●
18	151-8272	Removable handle bar Assy-White	●	●

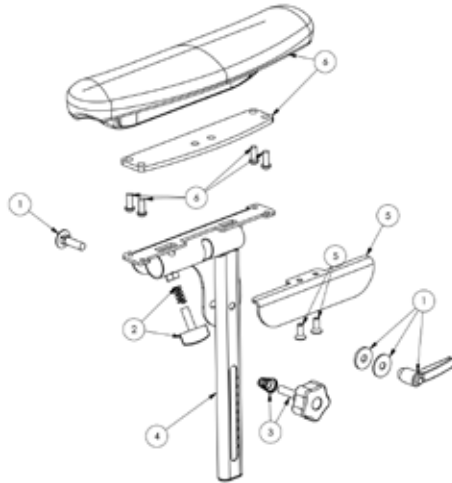
Everyday Activity Seat Spare Parts- **Seat Assembly (Size 3)**



Everyday Activity Seat Spare Parts- **Seat Assembly (Size 3)**

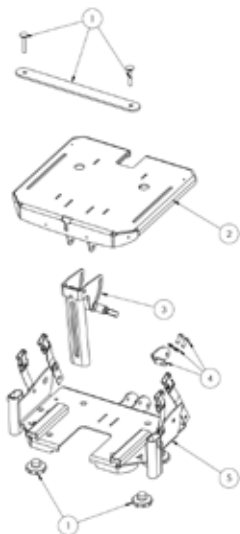
Pos.	Leckey Sales Code	Description	Compatible with	
			Size 1	Size 2
1	151-3745	Size 3 One piece footplate - metal (Black)	●	●
1	151-6327	Size 3 One piece footplate - metal (White)	●	●
1	151-3746	Size 3 one piece footplate - wooden	●	●
1	151-6329	Size 3 one piece footplate - wooden(White)	●	●
2	151-6306-XX	Size 3 Rigid PU chest laterals pair (cover included) (Black)	●	●
2	151-6307-XX	Size 3 Rigid PU chest laterals pair (cover included)(White)	●	●
2	151-6306-XXVIN	Size 3 Rigid PU chest laterals pair (cover included) (Black)	●	●
2	151-6307-XXVIN	Size 3 Rigid PU chest laterals pair (cover included)(White)	●	●
2	151-8308-XX	S3 Rigid/Flipaway chest lateral cover (pair)	●	●
2	151-8308-XXVIN	S3 Rigid/Flipaway chest lateral cover (pair)	●	
3	151-6308-XX	Size 3 flip away PU chest laterals pair (cover included) (Black)	●	●
3	151-6309-XX	Size 3 flip away PU chest laterals pair (cover included)(White)	●	
3	151-6308-XXVIN	Size 3 flip away PU chest laterals pair (cover included) (Black)	●	●
3	151-6309-XXVIN	Size 3 flip away PU chest laterals pair (cover included)(White)	●	
3	151-8308-XX	S3 Rigid/Flipaway chest lateral cover (pair)	●	
3	151-8308-XXVIN	S3 Rigid/Flipaway chest lateral cover (pair)	●	●
4	151-3757	Size 3 complex flipaway laterals pair (Horizontal) (Black)	●	●
4	151-6311	Size 3 complex flipaway laterals pair (Horizontal)(White)	●	
6	151-6314-XX	Size 3 Protraction Pad pair (cover included) (Black)	●	●
6	151-6315-XX	Size 3 Protraction Pad pair (cover included)(White)	●	
6	151-6314-XXVIN	Size 3 Protraction Pad pair (cover included) (Black)	●	
6	151-6315-XXVIN	Size 3 Protraction Pad pair (cover included)(White)	●	●
7	151-3754 Size 3	Side pads (Pair - hardware only) (Black)	●	●
7	151-6316 Size 3	Side pads (Pair - hardware only)(White)	●	●
7	151-6316-XX Size 3	Side pads cover (pair)	●	●
7	151-6316-XXVIN	Size 3 Side pads cover (pair)	●	●
8	151-6322-XX	Size 3 Pommel (Cover included) (Black)	●	●
8	151-6323-XX	Size 3 Pommel (Cover included)(White)	●	
8	151-6322-XXVIN	Size 3 Pommel (Cover included)(Black)	●	●
8	151-6323-XXVIN	Size 3 Pommel (Cover included)(White)	●	
9	151-3751-05	S3 Contoured headrest hardware and cover (Black)	●	●

Everyday Activity Seat Spare Parts- Armrest Assembly



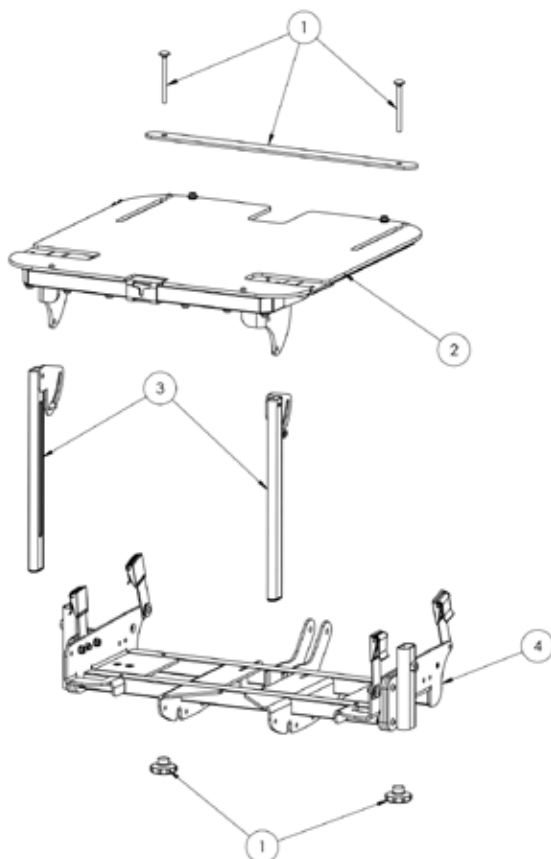
Pos.	Leckey Sales Code	Description	Compatible with		
			Size 1	Size 2	Size 3
1	151-1812	Armrest Adjustment Kit	●	●	
1	151-3812	Armrest Adjustment Kit			●
2	151-1813	Tray to Armrest Locking Wingnut	●	●	
2	151-3813	Tray to Armrest Locking Wingnut			●
3	151-1814	Armrest Lock Kit	●	●	
3	151-3814	Armrest Lock Kit			●
4	151-8134	Armrest Frame LHS Size 1	●		
4	151-8234	Armrest Frame LHS Size 2		●	
4	151-3820	Armrest Frame LHS Size 3			●
4	151-8136	Armrest Frame RHS Size 1	●		
4	151-8236	Armrest Frame RHS Size 2	●	●	
4	151-3821	Armrest Frame RHS Size 3			●
5	151-8135	Armrest Plate S1 (Black)	●		
5	151-8235	Armrest Plate S2(Black)		●	
5	151-8170	Armrest Plate S1 (White)	●		
5	151-8270	Armrest Plate S2(White)		●	
6	151-8137	Armrest PU Size 1	●		
6	151-8237	Armrest PU Size 2		●	
6	151-3822	Armrest PU Size 3			●

Everyday Activity Seat Spare Parts- **Seatbase (Size 1 & 2)**



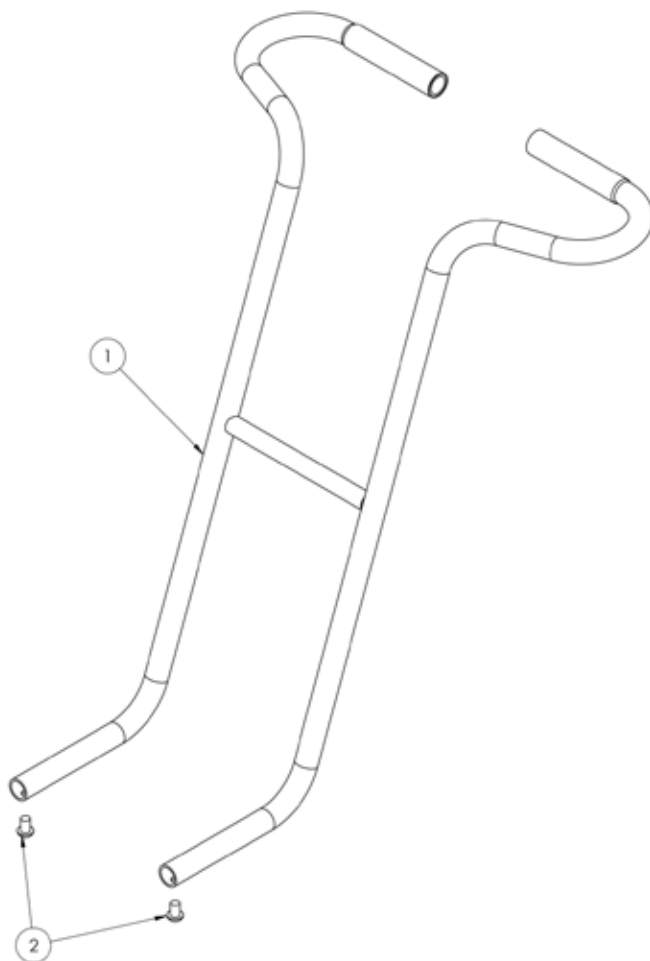
Pos.	Leckey Sales Code	Description	Compatible with	
			Size 1	Size 2
1	151-8138	S1 seatbase clamp (Black)	●	
1	151-8139	S1 seatbase clamp(White)	●	
1	151-8238	S2 seatbase clamp (Black)		●
1	151-8239	S2 seatbase clamp(White)		●
2	151-8140	S1 sliding seatbase (Black)	●	
2	151-8141	S1 sliding seatbase(White)	●	
2	151-8240	S2 sliding seatbase (Black)		●
2	151-8241	S2 sliding seatbase(White)		●
2	151-8274	Extended S2 sliding seatbase (Black)		●
2	151-8275	Extended S2 sliding seatbase(White)		●
3	151-1831	S1 upper footplate stem	●	
3	151-2831	S2 upper footplate stem		●
4	151-1832	S1 basic chassis bracket(Black)	●	
4	151-8142	S1 basic chassis bracket(White)	●	
5	151-8143	S1 static seatbase (Black)	●	
5	151-8144	S1 static seatbase(White)	●	
5	151-8243	S2 static seatbase (Black)		●
5	151-8244	S2 static seatbase (White)		●

Everyday Activity Seat Spare Parts- **Seatbase (3)**



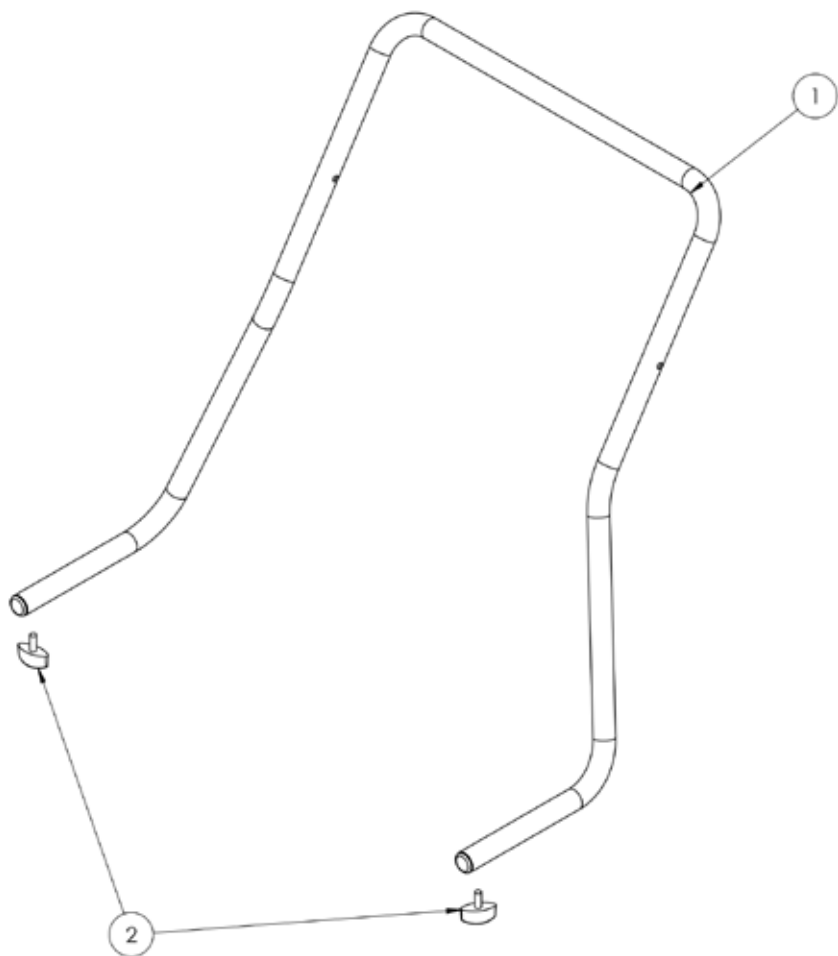
Pos.	Leckey Sales Code	Description	Compatible with
			Size 3
1	151-3829	S3 seatbase clamp (Black)	●
1	151-8339	S3 seatbase clamp(White)	●
2	151-3830	S3 sliding seatbase(Black)	●
2	151-8345	S3 sliding seatbase(White)	●
3	151-3831	S3 upper footplate stem	●
4	151-8346	S3 static seatbase(Black)	●
4	151-8347	S3 static seatbase(White)	●

Everyday Activity Seat Spare Parts- Removable Push Handle (Size 1 & 2)



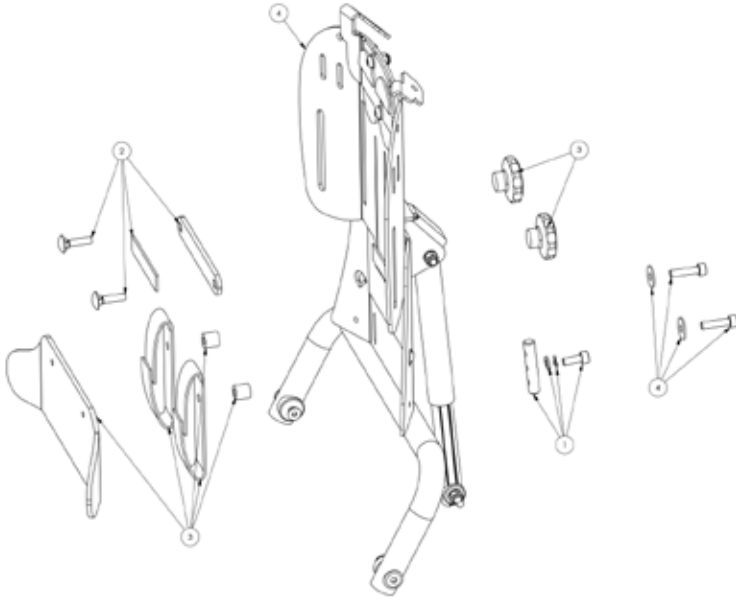
Pos.	Leckey Sales Code	Description	Compatible with		
			Size 1	Size 2	Size 3
1	151-8271	Removable handle bar Assy-Black	●	●	
1	151-8272	Removable handle bar Assy-White	●	●	
2	151-8273	Removable handle bar kit	●	●	

Everyday Activity Seat Spare Parts- Removable Push Handle (Size 3)



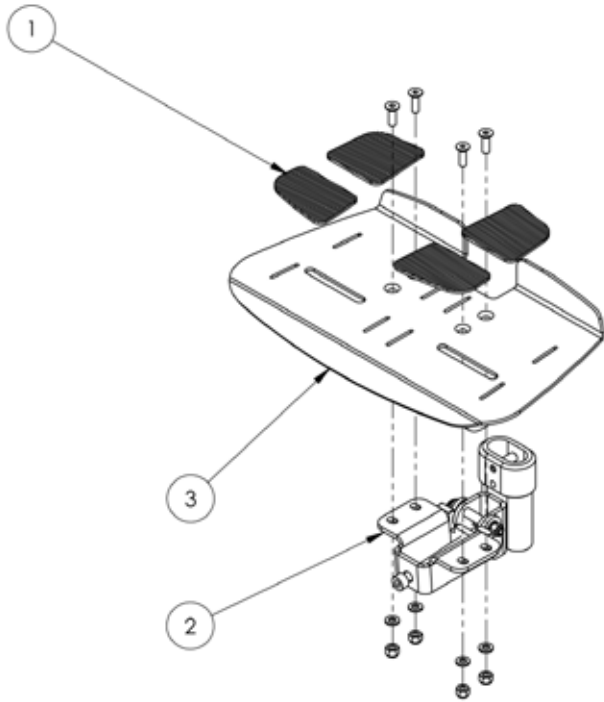
Pos.	Leckey Sales Code	Description	Compatible with
			Size 3
1	151-8371	Removable handle bar Assy-Black	●
1	151-8372	Removable handle bar Assy-White	●
2	151-8373	Removable handle bar kit	●

Everyday Activity Seat Spare Parts- Backrest



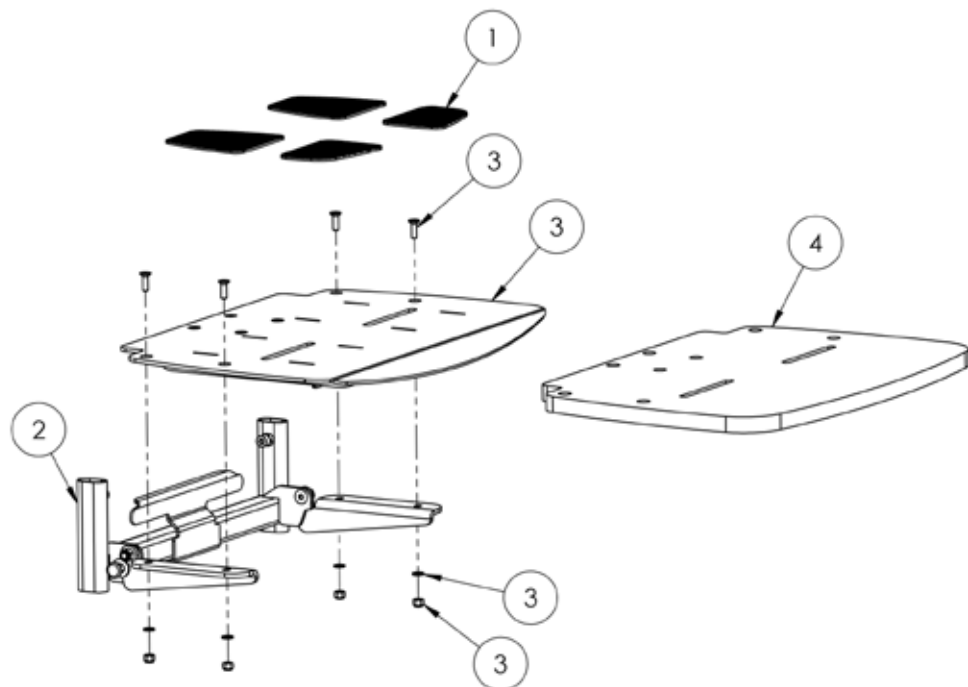
Pos.	Leckey Sales Code	Description	Compatible with		
			Size 1	Size 2	Size 3
1	151-1803	Size 1&2 backrest adjustment kit	●	●	
1	151-3803	Size 3 backrest adjustment kit			●
2	151-1804	Size 1&2 backrest clamp plate (Black)	●	●	
2	151-8148	Size 1&2 backrest clamp plate(White)	●	●	
2	151-3804	Size 3 backrest clamp plate (Black)			●
2	151-8348	Size 3 backrest clamp plate(White)			●
3	151-1824	Size 1&2 sacral (Black)	●	●	
3	151-8249	Size 1&2 sacral(White)	●	●	
3	151-3824	Size 3 sacral (Black)			
3	151-8349	Size 3 sacral(White)			●
4	151-8150	Size 1 Backrest (Black)	●		
4	151-8151	Size 1 Backrest(White)	●		
4	151-8250	Size 2 Backrest (Black)		●	
4	151-8251	Size 2 Backrest(White)		●	
4	151-8350	Size 3 Backrest (Black)			●
4	151-8351	Size 3 Backrest(White)			●

Everyday Activity Seat Spare Parts- Footplate Assembly (Size 1 & 2)



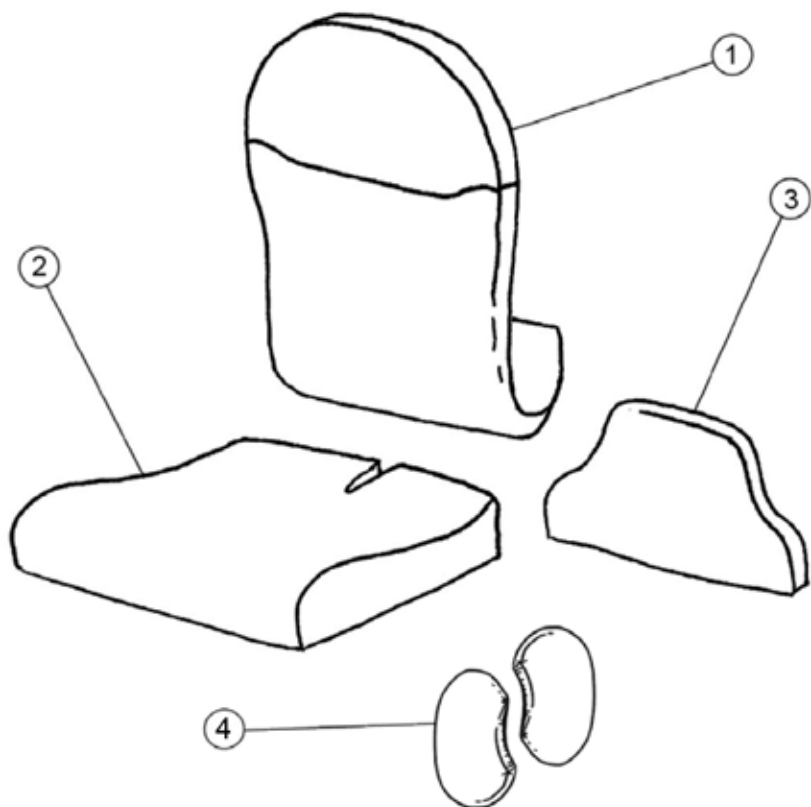
Pos.	Leckey Sales Code	Description	Compatible with	
			Size 1	Size 2
1	151-1808	Rubber Mats Size 1	●	
1	151-2808	Rubber Mats Size 2		●
2	151-1811	Footplate Stem Size 1 (Black)	●	
2	151-8153	Footplate Stem Size 1 (White)	●	
2	151-2811	Footplate Stem Size 2 (Black)		●
2	151-8253	Footplate Stem Size 2 (White)		
3	151-1809	Metal Footplate Size 1 (w/Screws) (Black)	●	
3	151-8154	Metal Footplate Size 1 (w/Screws) (White)	●	
3	151-2809	Metal Footplate Size 2 (w/Screws) (Black)		●
3	151-8254	Metal Footplate Size 2 (w/Screws) (White)		●

Everyday Activity Seat Spare Parts- Footplate Assembly (Size 3)



Pos.	Leckey Sales Code	Description	Compatible with
			Size 3
1	151-3808	Rubber Mats Size 3	●
2	151-3811	Footplate Stem Size 3 (Black)	●
2	151-8353	Footplate Stem Size 3 (White)	●
3	151-3809	Metal Footplate Size 3 (w/Screws) (Black)	●
3	151-8354	Metal Footplate Size 3 (w/Screws) (White)	●
4	151-3810	Wooden Footplate Size 3 (w/Screws) (Black)	●
4	151-8355	Wooden Footplate Size 3 (w/Screws) (White)	●

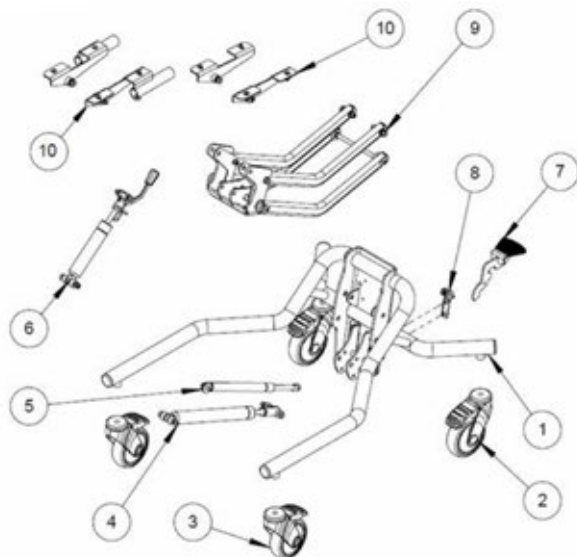
Everyday Activity Seat Spare Parts- **Cushions**



Everyday Activity Seat Spare Parts- Cushions

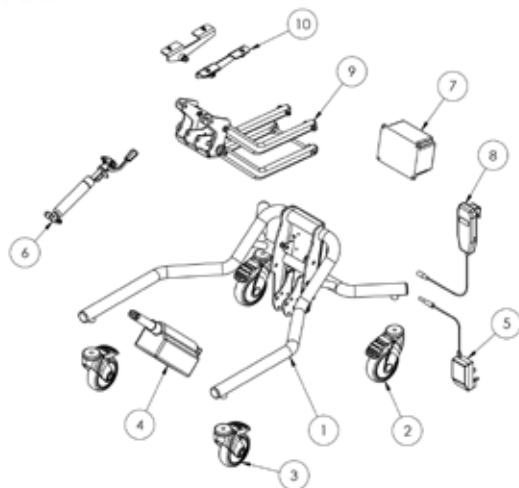
Pos.	Leckey Sales Code	Description	Compatible with		
			Size 1	Size 2	Size 3
1	151-8101-XX	Backrest Cushion Size 1	●		
1	151-8101-XXVIN	Backrest Cushion Size 1	●		
1	151-8201-XX	Backrest Cushion Size 2		●	
1	151-8201-XXVIN	Backrest Cushion Size 2		●	
1	151-8301-XX	Backrest Cushion Size 3			●
1	151-8301-XXVIN	Backrest Cushion Size 3			●
2	151-8102-XX	Seat Base Cushion Size 1	●		
2	151-8102-XXVIN	Seat Base Cushion Size 1	●		
2	151-8202-XX	Seat Base Cushion Size 2		●	
2	151-8202-XXVIN	Seat Base Cushion Size 2		●	
2	151-8276-XX	Extended Seat Base Cushion Size 2		●	
2	151-8276-XXVIN	Extended Seat Base Cushion Size 2		●	
2	151-8302-XX	Seat Base Cushion Size 3			●
2	151-8302-XXVIN	Seat Base Cushion Size 3			●
3	151-8197	Sacral Pad Size 1	●		
3	151-8297	Sacral Pad Size 2		●	
3	151-8397	Sacral Pad Size 3			●
2	151-8199-XX	Retro fit Seat base cushion Size 1	●		
2	151-8199-XXVIN	Retro fit Seat base cushion Size 1	●		
2	151-8299-XX	Retro fit Seat base cushion Size 2		●	
2	151-8299-XXVIN	Retro fit Seat base cushion Size 2		●	
2	151-8399-XX	Retro fit Seat base cushion Size 3			●
2	151-8399-XXVIN	Retro fit Seat base cushion Size 3			●
4	151-8198-XX	Retro fit protraction cover S1&2	●	●	
4	151-8198-XXVIN	Retro fit protraction cover S1&2	●	●	
4	151-8398-XX	Retro fit protraction cover S3			●
4	151-8398-XXVIN	Retro fit protraction cover S3			●

Everyday Activity Seat Spare Parts- Hi-low Chassis



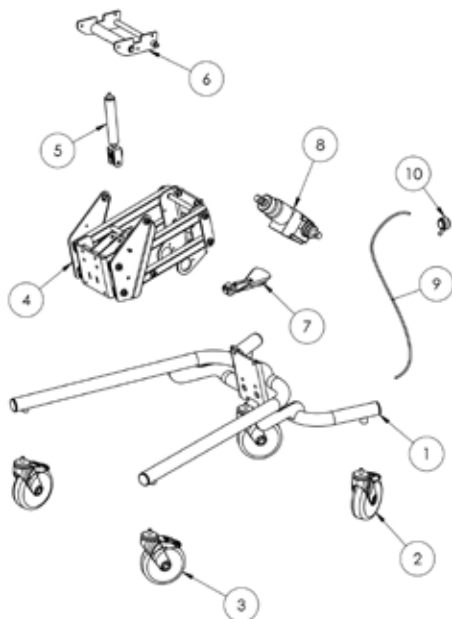
Pos.	Leckey Sales Code	Description	Compatible with	
			Size 1	Size 2
1	102-1693	Chassis Welded Assy Size 1&2 (Black)	●	●
1	151-8261	Chassis Welded Assy Size 1&2 (White)	●	●
2	IA13	Castor	●	●
3	IA60	Castor-Directional Lock	●	●
4	151-1806	1200N Liftomat Shock S1&S2 Assy	●	●
5	151-1807	S2 HILO Assisting 400N gas spring		●
6	151-8262	500N Blocolift S1&S2 Assy (Black)	●	●
6	151-8263	500N Blocolift S1&S2 Assy (White)	●	●
7	151-1826	Short Foot Pedal	●	●
8	102-1761	Locking Pin Assy (Black)	●	●
8	151-8264	Locking Pin Assy (White)	●	●
9	151-1827	Lever Arm Assy (Black)	●	●
9	151-8265	Lever Arm Assy(White)	●	●
10	151-8159	Interface Brackets S1 (Black)	●	●
10	151-8160	Interface Brackets S1 (White)		
10	151-8259	Interface Brackets S2 (Black)	●	●
10	151-8260	Interface Brackets S2 (White)		

Everyday Activity Seat Spare Parts- Powered Chassis



Pos.	Leckey Sales Code	Description	Compatible with
			Size 2
1	102-1693	Chassis Welded Assy Size 1&2 [Black]	●
1	151-8261	Chassis Welded Assy Size 1&2 [White]	●
2	IA13	Castor	●
3	IA60	Castor-Directional Lock	●
4	151-1806	1200N Liftomat Shock S1&S2 Assy	●
5	SI119	Charger UK	●
5	SI118	Charger EUR	●
5	SI120	Charger USA/JAPAN	●
5	SI122	Charger Aus	●
6	151-8262	500N Blocolift S1&S2 Assy [Black]	●
6	151-8263	500N Blocolift S1&S2 Assy [White]	●
7	SI64	Battery1	●
8	SI67	Handset	●
9	151-1827	Lever Arm Assy [Black]	●
9	151-8265	Lever Arm Assy[White]	●
10	151-8159	Interface Brackets S1 [Black]	●
10	151-8160	Interface Brackets S1 [White]	●
10	151-8259	Interface Brackets S2 [Black]	●
10	151-8260	Interface Brackets S2 [White]	●

Everyday Activity Seat Spare Parts- Hydraulic Chassis (Size 3)



Pos.	Leckey Sales Code	Description	Compatible with
			Size 3
1	151-3838	Chassis Assembly (Black)	●
1	151-8366	Chassis Assembly (White)	●
2	IA31 5"	Castor	●
3	IA62 5"	Caster-Directional Lock	●
4	151-8367	Hi-Lo Assembly (Black)	●
4	151-8368	Hi-Lo Assembly (White)	●
5	133-2100	Tilt gas shock	●
6	151-3840	Interface (Black)	●
6	151-8369	Interface (White)	●
7	133-2102	Pedal	●
8	133-2098	Hydraulic Actuator	●
9	151-3284	Cable	●
10	133-851	Release Lever	●



Leckey
19c Ballinderry Road
Lisburn BT28 2SA
Northern Ireland

{+44} 28 9260 0750
hello@leckey.com

LS845-01

leckey.com

