



**Zippie TS SE**  
**August 2019**  
 EIZ1A

|  |   |
|--|---|
| Date: _____<br>Dealer Acct #: _____<br>Dealer: _____<br>Dealer Contact: _____<br>Dealer Address: _____<br>Dealer City: _____ ST: _____ ZIP: _____<br>Dealer Phone: ( ) _____ Fax: ( ) _____<br>Confirm Via: <input type="checkbox"/> Fax <input type="checkbox"/> Email<br>Mark For: _____ | <b>SUBMITTING FOR:</b> <input type="checkbox"/> Quote <input type="checkbox"/> Order<br>PO#: _____<br>Ship To: _____<br>Attention: _____<br>Address: _____<br>Address: _____<br>Ship To City: _____ ST: _____ ZIP: _____<br>Ship To Phone: ( ) _____ Fax: ( ) _____ |
|--|---|

*The HCPCS CODES provided are based on code verification through PDAC or our interpretation of the code definitions.  
 The use of HCPCS CODES does not ensure coverage or payment. For coverage information, verify the appropriate payer's coverage policy.*

| Option # | HCPCS | Definition | Price | Option # | HCPCS | Definition | Price |
|----------|-------|------------|-------|----------|-------|------------|-------|
|----------|-------|------------|-------|----------|-------|------------|-------|

**ZIPPIE TS SE**

**1. FRAME**

*All Zippie TS models grow in width and depth.*

**Base Models**

|                          |         |       |  |         |
|--------------------------|---------|-------|--|---------|
| <input type="checkbox"/> | 187WM67 | E1234 | Folding Growing Zippie TS SE<br>Without Seating<br>Transit Optional<br>True Fit Not Included | \$2,575 |
| <input type="checkbox"/> | 187WM68 | E1233 | Rigid Growing Zippie TS SE<br>Without Seating<br>Transit Optional<br>True Fit Not Included   | \$2,450 |
| <input type="checkbox"/> | 187F02  |       | Additional Rigid Strut Tube  | NC      |

*Note: HCPCS Codes shown as submitted. Some sizes fit other HCPCS codes i.e. 15"-18" widths = E1161*

**Transit System (For use when Transit Optional is selected)**

*Tie Down Requires: Solid Seat and Solid Back or Growing Seat Pan and JAY Fit or Conventional Seat and Back or Growing Seat Pan and Solid Back or JAY Fit and/or Conventional Seat & Back*

|                          |         |       |   |       |
|--------------------------|---------|-------|---|-------|
| <input type="checkbox"/> | 187TO12 | K0108 | Transit Optional Seating<br>(Req. Selection of Seat & Back) | \$250 |
| <input type="checkbox"/> | 187TO11 | K0108 | Transit Optional w/o Seating                                | \$250 |
| <input type="checkbox"/> | 187TO20 |       | Transit Omit  | N/C   |

**Tilt Options**

|                          |         |  |   |     |
|--------------------------|---------|--|---|-----|
| <input type="checkbox"/> | 187TT12 |  | Dual Trigger Cable Release                            | NC  |
| <input type="checkbox"/> | 187VZ01 |  | Crisscross Cables<br>(cables are longer individually) | NC  |
| <input type="checkbox"/> | 187VZ02 |  | Non-crisscross  | Std |
| <input type="checkbox"/> | 187TT8  |  | Cable Foot Release<br>(may limit folding width)       | NC  |

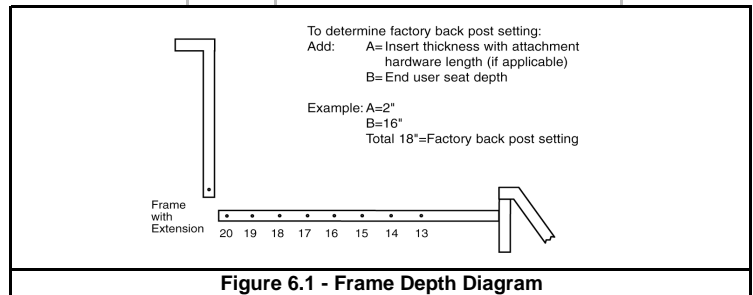
**2. SIZE/SEATING**

**Frame Width**

|                          |               |  |                            |           |
|--------------------------|---------------|--|----------------------------|-----------|
| <input type="checkbox"/> | <b>187W25</b> |  | <b>Small Cross Brace</b>   | <b>NC</b> |
| <input type="checkbox"/> | 187S1         |  | 10"                        | NC        |
| <input type="checkbox"/> | 187S2         |  | 11"                        | NC        |
| <input type="checkbox"/> | 187S3         |  | 12"                        | NC        |
| <input type="checkbox"/> | <b>187W26</b> |  | <b>Medium Cross Brace</b>  | <b>NC</b> |
| <input type="checkbox"/> | 187S3         |  | 12"                        | NC        |
| <input type="checkbox"/> | 187S4         |  | 13"                        | NC        |
| <input type="checkbox"/> | 187S5         |  | 14"                        | NC        |
| <input type="checkbox"/> | <b>187W27</b> |  | <b>Large Cross Brace</b>   | <b>NC</b> |
| <input type="checkbox"/> | 187S5         |  | 14"                        | NC        |
| <input type="checkbox"/> | 187S6         |  | 15"                        | NC        |
| <input type="checkbox"/> | 187S7         |  | 16"                        | NC        |
| <input type="checkbox"/> | <b>187W28</b> |  | <b>X-Large Cross Brace</b> | <b>NC</b> |
| <input type="checkbox"/> | 187S7         |  | 16"                        | NC        |
| <input type="checkbox"/> | 187S8         |  | 17"                        | NC        |
| <input type="checkbox"/> | 187S9         |  | 18"                        | NC        |

**Frame Depth and Back Post Location**

|                          |         |  |   |    |
|--------------------------|---------|--|---|----|
| <input type="checkbox"/> | 187FD4  |  | 13" Frame Depth                                     | NC |
| <input type="checkbox"/> | 187FD5  |  | 14" Frame Depth                                     | NC |
| <input type="checkbox"/> | 187FD6  |  | 15" Frame Depth                                     | NC |
| <input type="checkbox"/> | 187FD7  |  | 16" Frame Depth                                     | NC |
| <input type="checkbox"/> | 187FD8  |  | 17" Frame Depth                                     | NC |
| <input type="checkbox"/> | 187FD9  |  | 18" Frame Depth                                     | NC |
| <input type="checkbox"/> | 187FD10 |  | 19" Frame Depth<br>(uses rear frame extension plug) | NC |
| <input type="checkbox"/> | 187FD36 |  | 20" Frame Depth<br>(uses rear frame extension plug) | NC |



**Figure 6.1 - Frame Depth Diagram**

*Units are in inches.*

**2. SIZE/SEATING CONT.**

| Seats                    |         |       |   |       |
|--------------------------|---------|-------|---|-------|
| <input type="checkbox"/> | 187ST55 | E2231 | Solid Seat<br><i>(Requires Solid Back, N/A w/ 10"-13" Wide x 19"-20" Frame Depth or 17"-18" Wide x 13"-17" Frame Depth)</i> | \$200 |
| <input type="checkbox"/> | 187ST14 | E2231 | Growing Seat Pan Depth (Fig. 7.1)   | \$200 |
| <input type="checkbox"/> | 187ST5  |       | Omit Seat   | Std   |

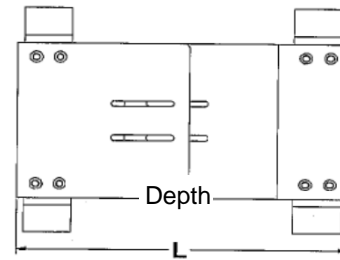
**JAY Cushions (Optional)**

To order any JAY cushions on-chair, please see the JAY price list. Cushion name or part number must be filled out with desired width and depth.

| JAY Bundled Cushion      |         |               |             |
|--------------------------|---------|---------------|-------------|
| <input type="checkbox"/> | 187JC20 | Name / Part # | Price List  |
|                          |         | Width (in.):  | Depth (in.) |

**REFERENCE ONLY**

| Seat Depth Pan Size | Depth Range |         |
|---------------------|-------------|---------|
|                     | Minimum     | Maximum |
| Medium 13"-14"      | 11-3/4"     | 16-1/4" |
| Long 15"-17"        | 13-3/4"     | 18-1/4" |
| X-Long 18"-20"      | 15-3/4"     | 20-1/4" |



**Figure 7.1 - Frame Depth Growth Range Matrix**

**3. CASTERS**

**Caster Wheel**

Some interference may occur when choosing 8" Caster w/ Z-Finity

|                          |         |                |  |       |
|--------------------------|---------|----------------|--|-------|
| <input type="checkbox"/> | 187CW30 |                | 3" Micro Light Up                      | \$65  |
| <input type="checkbox"/> | 187CW31 |                | 4" Micro Light Up                      | \$70  |
| <input type="checkbox"/> | 187CW51 |                | 5" Micro Light Up                      | \$85  |
| <input type="checkbox"/> | 187CW5  |                | 5" Low-Profile Polyurethane            | STD   |
| <input type="checkbox"/> | 187CW7  | E2219          | 5" x 1.5" Semi-Pneumatic               | \$85  |
| <input type="checkbox"/> | 187CW33 | E2214<br>E2215 | 6" Pneumatic                           | \$75  |
| <input type="checkbox"/> | 187CW34 |                | 6" Polyurethane                        | NC    |
| <input type="checkbox"/> | 187CW35 | E2219          | 6" x 1.5" Semi-Pneumatic               | \$85  |
| <input type="checkbox"/> | 187CW21 | E2214<br>E2215 | 8" Pneumatic                           | \$85  |
| <input type="checkbox"/> | 187CW32 |                | 8" Polyurethane                        | NC    |
| <input type="checkbox"/> | 187CW39 | E2219          | 8" x 1.5" Semi-Pneumatic               | \$85  |
| <input type="checkbox"/> | 187CW36 | E2214<br>E2215 | 8" x 2" Pneumatic                      | \$145 |
| <input type="checkbox"/> | 187CW37 | E2214<br>K0108 | 8" x 2" Pneumatic<br>w/ Airless Insert | \$225 |

**Caster Options**

|                          |        |       |   |       |
|--------------------------|--------|-------|---|-------|
| <input type="checkbox"/> | 187CS3 | K0073 | Caster Pin Locks<br><i>(N/A with 8" x 2" and 8" x 1.5" casters)</i> | \$195 |
|--------------------------|--------|-------|---|-------|

**CASTER SIZE**

| Rear Wheel Size                          | CASTER SIZE                    |                                |                                |                                |                                |                                  |                                |  |
|--|--------------------------------|--------------------------------|--------------------------------|--------------------------------|--------------------------------|----------------------------------|--------------------------------|--|
|  | <input type="checkbox"/> 3"    | <input type="checkbox"/> 4"    | <input type="checkbox"/> 5"    | <input type="checkbox"/> 6"    | <input type="checkbox"/> 8"x1" | <input type="checkbox"/> 8"x1.5" | <input type="checkbox"/> 8"x2" |  |
| <input type="checkbox"/> 12"             | <input type="checkbox"/> 17.0" | <input type="checkbox"/> 16.5" | <input type="checkbox"/> 16.5" | <input type="checkbox"/> 17.0" | N/A                            | N/A                              | N/A                            |  |
|  | <input type="checkbox"/> 17.5" | <input type="checkbox"/> 17.0" | <input type="checkbox"/> 17.0" | <input type="checkbox"/> 17.5" | N/A                            | N/A                              | N/A                            |  |
| <input type="checkbox"/> 12"<br>Low Poly | <input type="checkbox"/> 16.0" | <input type="checkbox"/> 16.0" | <input type="checkbox"/> 16.0" | <input type="checkbox"/> 16.5" | N/A                            | N/A                              | N/A                            |  |
|  | <input type="checkbox"/> 16.5" | <input type="checkbox"/> 16.5" | <input type="checkbox"/> 16.5" | <input type="checkbox"/> 16.5" | N/A                            | N/A                              | N/A                            |  |
| <input type="checkbox"/> 16"             | <input type="checkbox"/> 15.5" | <input type="checkbox"/> 15.5" | <input type="checkbox"/> 15.5" | N/A                            | N/A                            | N/A                              | N/A                            |  |
|  | <input type="checkbox"/> 18.0" | <input type="checkbox"/> 18.0" | <input type="checkbox"/> 18.0" | <input type="checkbox"/> 18.0" | <input type="checkbox"/> 18.5" | <input type="checkbox"/> 18.0"   | <input type="checkbox"/> 18.5" |  |
|  | <input type="checkbox"/> 18.5" | <input type="checkbox"/> 18.5" | <input type="checkbox"/> 18.5" | <input type="checkbox"/> 18.5" | <input type="checkbox"/> 19.0" | <input type="checkbox"/> 18.5"   | N/A                            |  |
| <input type="checkbox"/> 18"             | <input type="checkbox"/> 15.5" | <input type="checkbox"/> 15.5" | <input type="checkbox"/> 15.5" | N/A                            | N/A                            | N/A                              | N/A                            |  |
|  | <input type="checkbox"/> 16.0" | <input type="checkbox"/> 16.0" | <input type="checkbox"/> 16.0" | <input type="checkbox"/> 16.5" | N/A                            | N/A                              | N/A                            |  |
|  | <input type="checkbox"/> 16.5" | <input type="checkbox"/> 16.5" | <input type="checkbox"/> 16.5" | <input type="checkbox"/> 16.5" | N/A                            | N/A                              | N/A                            |  |
| <input type="checkbox"/> 20"             | <input type="checkbox"/> 15.5" | <input type="checkbox"/> 15.5" | <input type="checkbox"/> 15.5" | N/A                            | N/A                            | N/A                              | N/A                            |  |
|  | <input type="checkbox"/> 16.0" | <input type="checkbox"/> 16.0" | <input type="checkbox"/> 16.0" | <input type="checkbox"/> 16.5" | N/A                            | N/A                              | N/A                            |  |
|  | <input type="checkbox"/> 16.5" | <input type="checkbox"/> 16.5" | <input type="checkbox"/> 16.5" | <input type="checkbox"/> 16.5" | N/A                            | N/A                              | N/A                            |  |
|  | <input type="checkbox"/> 17.0" | <input type="checkbox"/> 17.0" | <input type="checkbox"/> 17.0" | <input type="checkbox"/> 17.0" | <input type="checkbox"/> 18.5" | <input type="checkbox"/> 18.0"   | <input type="checkbox"/> 18.5" |  |
|  | <input type="checkbox"/> 17.5" | <input type="checkbox"/> 17.5" | <input type="checkbox"/> 17.5" | <input type="checkbox"/> 17.5" | N/A                            | N/A                              | N/A                            |  |
|  | <input type="checkbox"/> 18.0" | <input type="checkbox"/> 18.0" | <input type="checkbox"/> 18.0" | <input type="checkbox"/> 18.0" | N/A                            | N/A                              | N/A                            |  |
| <input type="checkbox"/> 22"             | <input type="checkbox"/> 16.5" | <input type="checkbox"/> 16.5" | <input type="checkbox"/> 16.5" | <input type="checkbox"/> 16.5" | N/A                            | N/A                              | N/A                            |  |
|  | <input type="checkbox"/> 17.0" | <input type="checkbox"/> 17.0" | <input type="checkbox"/> 17.0" | <input type="checkbox"/> 17.0" | N/A                            | N/A                              | N/A                            |  |
|  | <input type="checkbox"/> 17.5" | <input type="checkbox"/> 17.5" | <input type="checkbox"/> 17.5" | <input type="checkbox"/> 17.5" | N/A                            | N/A                              | N/A                            |  |
|  | <input type="checkbox"/> 18.0" | <input type="checkbox"/> 18.0" | <input type="checkbox"/> 18.0" | <input type="checkbox"/> 18.0" | <input type="checkbox"/> 18.5" | <input type="checkbox"/> 18.5"   | <input type="checkbox"/> 19.0" |  |
|  | <input type="checkbox"/> 18.5" | <input type="checkbox"/> 18.5" | <input type="checkbox"/> 18.5" | <input type="checkbox"/> 18.5" | <input type="checkbox"/> 19.0" | <input type="checkbox"/> 19.0"   | N/A                            |  |
|  | <input type="checkbox"/> 19.0" | <input type="checkbox"/> 19.0" | <input type="checkbox"/> 19.0" | <input type="checkbox"/> 19.0" | <input type="checkbox"/> 19.5" | N/A                              | N/A                            |  |
| <input type="checkbox"/> 24"             | <input type="checkbox"/> 17.0" | N/A                            | N/A                            | N/A                            | N/A                            | N/A                              | N/A                            |  |
|  | <input type="checkbox"/> 17.5" | <input type="checkbox"/> 17.5" | <input type="checkbox"/> 17.5" | <input type="checkbox"/> 17.5" | N/A                            | N/A                              | N/A                            |  |
|  | <input type="checkbox"/> 18.0" | <input type="checkbox"/> 18.0" | <input type="checkbox"/> 18.0" | <input type="checkbox"/> 18.0" | N/A                            | <input type="checkbox"/> 18.0"   | N/A                            |  |
|  | <input type="checkbox"/> 18.5" | <input type="checkbox"/> 18.5" | <input type="checkbox"/> 18.5" | <input type="checkbox"/> 18.5" | <input type="checkbox"/> 18.5" | <input type="checkbox"/> 18.5"   | <input type="checkbox"/> 18.5" |  |
|  | <input type="checkbox"/> 19.0" | <input type="checkbox"/> 19.0" | <input type="checkbox"/> 19.0" | <input type="checkbox"/> 19.0" | <input type="checkbox"/> 19.0" | <input type="checkbox"/> 19.0"   | <input type="checkbox"/> 19.0" |  |
|  | <input type="checkbox"/> 19.5" | <input type="checkbox"/> 19.5" | <input type="checkbox"/> 19.5" | <input type="checkbox"/> 19.5" | <input type="checkbox"/> 19.5" | <input type="checkbox"/> 19.5"   | <input type="checkbox"/> 20.0" |  |

**Chart A - Seat to Floor Height Matrix**

Note: Rear seat-to-floor ht. may be up to 1.5" lower than front seat-to-floor ht.

#### 4. REAR WHEELS / SEAT HEIGHT

##### Rear Wheel Size

|                          |         |  |                                |       |
|--------------------------|---------|--|--------------------------------|-------|
| <input type="checkbox"/> | 187RW13 |  | 12" Mag<br>(N/A with handrims) | STD   |
| <input type="checkbox"/> | 187RW14 |  | 16" Mag<br>(N/A with handrims) | NC    |
| <input type="checkbox"/> | 187RW3  |  | 20" Mag                        | NC    |
| <input type="checkbox"/> | 187RW8  |  | 22" Mag                        | NC    |
| <input type="checkbox"/> | 187RW1  |  | 24" Mag                        | NC    |
| <input type="checkbox"/> | 187RW12 |  | 18" Spoke                      | \$100 |
| <input type="checkbox"/> | 187RW90 |  | 20" Lite Spoke                 | \$200 |
| <input type="checkbox"/> | 187RW91 |  | 22" Lite Spoke                 | \$200 |
| <input type="checkbox"/> | 187RW54 |  | 24" Lite Spoke                 | \$200 |

##### Rear Wheel Tire

|                          |        |                |  |      |
|--------------------------|--------|----------------|--|------|
| <input type="checkbox"/> | 187RT1 |                | Pneumatic  | NC   |
| <input type="checkbox"/> | 187RT2 | E2211<br>E2213 | Pneumatic Airless Insert   | \$85 |
| <input type="checkbox"/> | 187RT3 |                | Full Polyurethane<br>(N/A w/ 12", 16" and 18" rear wheels)       | NC   |
| <input type="checkbox"/> | 187RT4 |                | Low Polyurethane<br>(Only available with 12" or 24" wheels)      | NC   |
| <input type="checkbox"/> | 187RT6 | E2211<br>E2212 | High Pressure Clincher<br>(Only available with 24" spoke wheels) | \$95 |

##### Handrim

|                          |        |  |                                      |       |
|--------------------------|--------|--|--------------------------------------|-------|
| <input type="checkbox"/> | 187HR1 |  | Aluminum Anodized                    | NC    |
| <input type="checkbox"/> | 187HR4 |  | Plastic Coated                       | \$100 |
| <input type="checkbox"/> | 187HR7 |  | Omit<br>(N/A with wheel/axle credit) | NC    |

##### Projections (N/A on Plastic Coated)

\*Only available with 24" wheels & N/A with spoke guards.

|                          |        |  |           |       |
|--------------------------|--------|--|-----------|-------|
| <input type="checkbox"/> | 187HR8 |  | 8 Oblique | \$325 |
|--------------------------|--------|--|-----------|-------|

##### Axle

|                          |         |  |   |       |
|--------------------------|---------|--|---|-------|
| <input type="checkbox"/> | 187AX26 |  | One-Arm Drive Axle<br>(Only avail. w/ One-Arm Drive Option) | STD   |
| <input type="checkbox"/> | 187AX1  |  | Quick Release   | NC    |
| <input type="checkbox"/> | 187AX11 |  | Quad Quick Release<br>(N/A with Lite Spokes)                | \$125 |

##### Axle Plate

|                          |         |       |   |       |
|--------------------------|---------|-------|---|-------|
| <input type="checkbox"/> | 187AL18 |       | 12" Rear Wheel Axle Plate<br>(Only avail. w/ 12" or 16" rear wheels)          | STD   |
| <input type="checkbox"/> | 187AL34 |       | Short Adjustable<br>(N/A with 12" rear wheels)                                | NC    |
| <input type="checkbox"/> | 187AL35 |       | Long Adjustable<br>(N/A with 12" rear wheels)                                 | NC    |
| <input type="checkbox"/> | 187AL17 | E0958 | One Arm Drive<br>(Avail. w/ 20", 22", 24" Mag Rear Wheels<br>& 13"-18" width) | \$900 |
| <input type="checkbox"/> | 187OA2  |       | <b>Standard Handrim</b>   | NC    |
| <input type="checkbox"/> | 187HM1  |       | Right   | NC    |
| <input type="checkbox"/> | 187HM2  |       | Left  | NC    |
| <input type="checkbox"/> | 187OA1  |       | <b>Small Handrim</b><br>(N/A w/ 20" wheels)                                   | NC    |
| <input type="checkbox"/> | 187HM1  |       | Right   | NC    |
| <input type="checkbox"/> | 187HM2  |       | Left  | NC    |

#### 5. WHEEL LOCK / HUB LOCK

##### Wheel Lock

N/A with Hub Lock

|                          |         |  |                                     |    |
|--------------------------|---------|--|-------------------------------------|----|
| <input type="checkbox"/> | 187WL1  |  | High Mount Push                     | NC |
| <input type="checkbox"/> | 187WL2  |  | High Mount Pull                     | NC |
| <input type="checkbox"/> | 187WL25 |  | Foot Lock (may limit folding width) | NC |
| <input type="checkbox"/> | 187WL10 |  | Omit                                | NC |

##### Extension Handle

|                          |        |       |         |      |
|--------------------------|--------|-------|---------|------|
| <input type="checkbox"/> | 187EH1 | E0961 | 6" Pair | \$75 |
|--------------------------|--------|-------|---------|------|

##### Hub Lock

\*Only available with 12" or 16" wheels. N/A w/ One-Arm Drive.

|                          |         |  |              |       |
|--------------------------|---------|--|--------------|-------|
| <input type="checkbox"/> | 187LK01 |  | 12" Hub Lock | \$100 |
| <input type="checkbox"/> | 187LK02 |  | 16" Hub Lock | \$100 |

## 6. FOOTRESTS

### Hanger Mounted Footrest (Footplates Mount to Hanger Tubing)

#### Hanger Type

|                          |         |  |                              |    |
|--------------------------|---------|--|------------------------------|----|
| <input type="checkbox"/> | 187H140 |  | 70° Swing In/Out Front Mount | NC |
| <input type="checkbox"/> | 187H142 |  | 80° Swing In/Out Front Mount | NC |
| <input type="checkbox"/> | 187H158 |  | 90° Swing In/Out Front Mount | NC |
| <input type="checkbox"/> | 187H9   |  | 70° HD Front Mount Lift-Off  | NC |
| <input type="checkbox"/> | 187H10  |  | 80° HD Front Mount Lift-Off  | NC |
| <input type="checkbox"/> | 187H11  |  | 90° HD Front Mount Lift-Off  | NC |

|                          |         |       |  |       |
|--------------------------|---------|-------|--|-------|
| <input type="checkbox"/> | 187H161 | E0990 | 90° Elevating<br>(N/A w/ 10"-11" Wide or Z-Finity) | \$295 |
|--------------------------|---------|-------|--|-------|

#### Extensions (may interfere with some seat heights & casters)

|                          |        |  |                  |      |
|--------------------------|--------|--|------------------|------|
| <input type="checkbox"/> | 187E23 |  | 2" (not mounted) | \$55 |
| <input type="checkbox"/> | 187E24 |  | 4" (not mounted) | \$55 |

#### Footplate

|                          |        |       |   |       |
|--------------------------|--------|-------|---|-------|
| <input type="checkbox"/> | 187F9  | K0040 | Kids Angle Adjustable<br>(N/A w/ 17"-18" widths)    | \$185 |
| <input type="checkbox"/> | 187F8  | K0040 | Adult Angle Adj.<br>(Available with 10"-18" widths) | \$185 |
| <input type="checkbox"/> | 187F62 | K0040 | Footboard<br>(Available with 10"-16" widths)        | \$190 |

### Ext. Tube Mounted Footrests (Footplates Mount to Ext. Tube)

#### Hanger Type

|                          |         |  |                  |     |
|--------------------------|---------|--|------------------|-----|
| <input type="checkbox"/> | 187H145 |  | 60° Swing In/Out | NC  |
| <input type="checkbox"/> | 187H139 |  | 70° Swing In/Out | STD |
| <input type="checkbox"/> | 187H141 |  | 80° Swing In/Out | STD |

|                          |         |       |  |       |
|--------------------------|---------|-------|--|-------|
| <input type="checkbox"/> | 187H159 | K0053 | Articulating<br>(N/A w/ 10"-13" composite footplates)              | \$370 |
| <input type="checkbox"/> | 187H160 | E0990 | Elevating (N/A w/ composite or platform footplates, or <16" width) | \$295 |

#### Extensions

|                          |        |  |                                |      |
|--------------------------|--------|--|--------------------------------|------|
| <input type="checkbox"/> | 187E1  |  | Short (11.5" - 14")            | NC   |
| <input type="checkbox"/> | 187E2  |  | Med (14" - 17") - (N/A w/ ELR) | NC   |
| <input type="checkbox"/> | 187E5  |  | Long (17" - 19")               | NC   |
| <input type="checkbox"/> | 187E16 |  | High Mount                     | \$75 |

#### Footplate

|                          |        |       |  |       |
|--------------------------|--------|-------|--|-------|
| <input type="checkbox"/> | 187F1  |       | Composite<br>(N/A In 10", 11" or 12" width)                                  | STD   |
| <input type="checkbox"/> | 187F3  | K0040 | Aluminum Angle Adjustable  | \$185 |
| <input type="checkbox"/> | 187F4  | K0040 | Kids Angle Adjustable<br>(N/A w/ 17"-18" width)                              | \$185 |
| <input type="checkbox"/> | 187F5  |       | Aluminum<br>(Only available with elevating leg rests 14"-18")                | NC    |
| <input type="checkbox"/> | 187F48 | K0040 | Platform Flip-Up<br>(Available on 60°, 70°, and 80° ext. mount hangers only) | \$190 |

**NEW!**

### Articulating / Elevating Hanger Cover

|                          |         |  |                |          |
|--------------------------|---------|--|----------------|----------|
| <input type="checkbox"/> | 187DI47 |  | Neoprene Cover | \$340.00 |
| <input type="checkbox"/> | 187DI48 |  | Gel Pad Cover  | \$400.00 |

### Z-Finity Hangers/Footrest System

*Some interference may exist in certain configurations.*

|                          |         |  |                 |     |
|--------------------------|---------|--|-----------------|-----|
| <input type="checkbox"/> | 187H162 |  | Z-Finity Hanger | STD |
|--------------------------|---------|--|-----------------|-----|

|   |         |  |                                     |    |
|---|---------|--|-------------------------------------|----|
| <b>Z-Finity Footrest Mount (Must Choose see Illustration in appendix)</b> |         |  |                                     |    |
| <input type="checkbox"/>  | 187DI22 |  | Direct Hanger Mt/Fixed Frame - High | NC |
| <input type="checkbox"/>  | 187DI23 |  | Direct Hanger Mt/Fixed Frame - Low  | NC |
| <input type="checkbox"/>  | 187DI24 |  | Extension Tube Mount                | NC |

#### Z-Finity Footrest Pivot Arm

*(Must Choose, use matrix in appendix for leg length)*

|                          |         |  |             |    |
|--------------------------|---------|--|-------------|----|
| <input type="checkbox"/> | 187DI20 |  | Short 2"    | NC |
| <input type="checkbox"/> | 187DI21 |  | Long 3-1/4" | NC |

#### Z-Finity Footplate

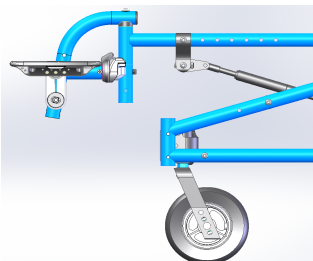
*Some interference may exist in certain configurations.*

|                          |         |       |  |       |
|--------------------------|---------|-------|--|-------|
| <input type="checkbox"/> | 187F320 | K0040 | Multi Angle Adjustable - Pair<br>(N/A w/ 8"-9" widths) | \$185 |
| <input type="checkbox"/> | 187F321 | K0040 | Angle Adjustable Platform Footboard                    | \$150 |
| <input type="checkbox"/> | 187F6   |       | Omit Footplate   | NC    |

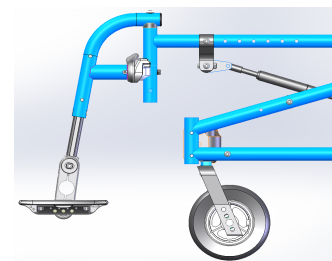
#### Z-Finity Extension Tube Length (When Choosing Ext. Tube Mount)

|                          |        |  |        |    |
|--------------------------|--------|--|--------|----|
| <input type="checkbox"/> | 187E62 |  | Hemi   | NC |
| <input type="checkbox"/> | 187E1  |  | Short  | NC |
| <input type="checkbox"/> | 187E2  |  | Medium | NC |
| <input type="checkbox"/> | 187E5  |  | Long   | NC |

Direct Hanger Mount



Extension Tube Mount



#### Direct Hanger Mounted

| Footrest Adaptor | Hanger Mounting Position | Min   |      | Max |  |
|------------------|--------------------------|-------|------|-----|--|
|                  |                          |       |      |     |  |
| Short            | High Mount               | -1.3" | 3.0" |     |  |
|                  | Low Mount                | 2.0"  | 6.3" |     |  |
| Long             | High Mount               | -2.5" | 4.3" |     |  |
|                  | Low Mount                | 0.8"  | 7.5" |     |  |

#### Extension Tube Mounted

| Footrest Adaptor | Extension Tube Length | Min  |       | Max |  |
|------------------|-----------------------|------|-------|-----|--|
|                  |                       |      |       |     |  |
| Short            | Hemi Short            | 4.3" | 12.0" |     |  |
|                  | Short                 | 5.3" | 13.0" |     |  |
|                  | Medium                | 7.0" | 15.0" |     |  |
| Long             | Long                  | 9.0" | 17.0" |     |  |
|                  | Hemi Short            | 3.0" | 13.3" |     |  |
|                  | Short                 | 4.5" | 14.3" |     |  |
|                  | Medium                | 6.0" | 16.3" |     |  |
|                  | Long                  | 8.0" | 18.3" |     |  |

#### Footrest Hanger Options

|                          |         |       |  |       |
|--------------------------|---------|-------|--|-------|
| <input type="checkbox"/> | 187IG2  |       | Neoprene Covers (Avail. On 60° / 70°/80° ext. mount hangers only and Z-Finity except in highest mounted position). | \$90  |
| <input type="checkbox"/> | 187HL1  | E0951 | Heel Loops (N/A w/ Z-Finity widths below 14")  | \$40  |
| <input type="checkbox"/> | 187A110 | E0952 | Toe Loop (Only avail. w/ adult angle adjust. Footplates N/A w/ Z-Finity)   | \$40  |
| <input type="checkbox"/> | 187HL5  | K0038 | Leg Strap  | \$40  |
| <input type="checkbox"/> | 187A55  |       | Extra Leg Strap  | \$35  |
| <input type="checkbox"/> | 187H32  |       | Omit Hanger  | -\$15 |
| <input type="checkbox"/> | 187F7   |       | Omit Footplate & Ext. Tube   | -\$15 |
| <input type="checkbox"/> | 187HL4  |       | Omit Heel Loop   | NC    |
| <input type="checkbox"/> | 187HL6  |       | Omit Single Leg Strap  | NC    |

**7. BACKREST / SEATING**

**Backs**

*(Solid Back Depth = 2" Less Than Frame Depth)*

|                          |        |  |    |
|--------------------------|--------|--|----|
| <input type="checkbox"/> | 187PU4 | Short Solid Back 12"<br><i>(Requires solid seat)</i> | NC |
| <input type="checkbox"/> | 187PU5 | Med. Solid Back 14"                                  | NC |
| <input type="checkbox"/> | 187PU6 | Tall Solid Back 16"                                  | NC |
| <input type="checkbox"/> | 187PU9 | Omit Backrest  | NC |

**JAY Backs (Optional)**

*Ordering JAY backs on-chair, See the JAY Price List. Requires Part #*

|                          |         |   |            |
|--------------------------|---------|---|------------|
| <input type="checkbox"/> | 187JB02 | JAY Bundled Backrest                            | Price List |
|                          |         | Backrest Name or Part #                         |            |
|                          |         | Width (in.):                      Height (in.): |            |

**Stroller Handle Back Posts - Backrests**

**Fixed Height**

|                          |         |                              |       |
|--------------------------|---------|------------------------------|-------|
| <input type="checkbox"/> | 187BP9  | Low (19" Height)             | NC    |
| <input type="checkbox"/> | 187BP10 | Medium (22" Height)          | NC    |
| <input type="checkbox"/> | 187BP11 | Tall (25" Height)            | NC    |
| <input type="checkbox"/> | 187BP13 | Removable Extension          | \$85  |
| <input type="checkbox"/> | 187RG1  | Folding Adjustable Rigidizer | \$175 |

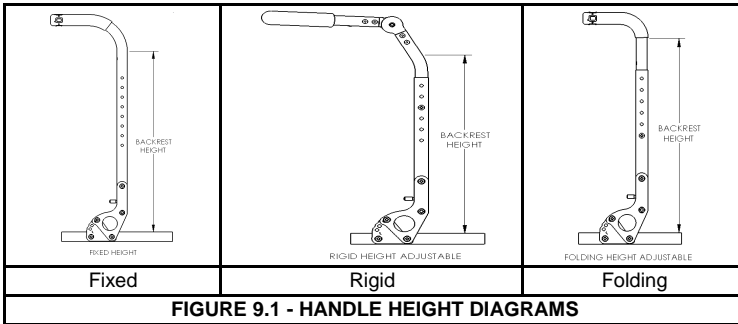
**Height Adjustable**

*Rigid Frame w/ Angle Adjust Push Handle*

|                          |         |                                    |    |
|--------------------------|---------|------------------------------------|----|
| <input type="checkbox"/> | 187B202 | <b>Std. (16"-22" Height)</b>       | NC |
| <input type="checkbox"/> | 187PH8  | Std. Angle Adj. Push Handle Length | NC |
| <input type="checkbox"/> | 187PH9  | Long Angle Adj. Push Handle Length | NC |
| <input type="checkbox"/> | 187B203 | <b>Tall (19"-25" Height)</b>       | NC |
| <input type="checkbox"/> | 187PH8  | Std. Angle Adj. Push Handle Length | NC |
| <input type="checkbox"/> | 187PH9  | Long Angle Adj. Push Handle Length | NC |

*Folding Frame with Push Handle*

|                          |         |  |      |
|--------------------------|---------|--|------|
| <input type="checkbox"/> | 187B204 | <b>Std. (17"-23" Height)</b>                         | NC   |
| <input type="checkbox"/> | 187BP47 | Swing Away Handle<br><i>(N/A with dual triggers)</i> | \$55 |
| <input type="checkbox"/> | 187B205 | <b>Tall (20"-26" Height)</b>                         | NC   |
| <input type="checkbox"/> | 187BP47 | Swing Away Handle<br><i>(N/A with dual triggers)</i> | \$55 |



**FIGURE 9.1 - HANDLE HEIGHT DIAGRAMS**

**8. ARMRESTS / SIDEGUARDS**

**Armrest and Armpad - Height Adjustable**

|                          |         |       |                                       |       |
|--------------------------|---------|-------|---------------------------------------|-------|
| <input type="checkbox"/> | 187AA12 | E0973 | T-Post Regular w/ Foam                | \$265 |
| <input type="checkbox"/> | 187AA13 | E0973 | T-Post Tall w/ Foam                   | \$265 |
| <input type="checkbox"/> | 187AA3  |       | Flip-Up                               | NC    |
| <input type="checkbox"/> | 187AA1  | E0973 | <b>Adjustable Locking Flip-Up</b>     | \$265 |
| <input type="checkbox"/> | 187AA7  | E0973 | <b>Length Adjust. Locking Flip-Up</b> | \$275 |
| <input type="checkbox"/> | 187AM23 |       | Desk Length - 10"                     | NC    |
| <input type="checkbox"/> | 187AM24 |       | Full Length 14"                       | NC    |
| <input type="checkbox"/> | 187AM9  |       | Foam Short (N/A w/ T-Post)            | NC    |
| <input type="checkbox"/> | 187AM10 |       | Foam Long (N/A w/ T-Post)             | NC    |

**Armrest Receiver for Height Adjustable Armrest**

|                          |         |  |                                    |    |
|--------------------------|---------|--|------------------------------------|----|
| <input type="checkbox"/> | 187AR17 |  | Low (N/A w/ 20", 22" & 24" wheels) | NC |
| <input type="checkbox"/> | 187AR18 |  | Standard                           | NC |

**Side Guard**

*(N/A with height adjustable armrests or T-Post armrests)*

|                          |         |       |             |       |
|--------------------------|---------|-------|-------------|-------|
| <input type="checkbox"/> | 187SG33 | K0108 | Plastic Std | \$140 |
| <input type="checkbox"/> | 187SG29 | K0108 | Plastic Low | \$140 |

**Armrest - Height Adjustable**

|                          |         |       |                                     |       |
|--------------------------|---------|-------|-------------------------------------|-------|
| <input type="checkbox"/> | 187AA11 | E0973 | <b>Single-Post Height Adj. Std.</b> | \$285 |
| <input type="checkbox"/> | 187AM23 |       | Desk Classic                        | NC    |
| <input type="checkbox"/> | 187AM21 |       | Desk Contour                        | NC    |
| <input type="checkbox"/> | 187AM24 |       | Full Classic                        | NC    |
| <input type="checkbox"/> | 187AM22 |       | Full Contour                        | NC    |
| <input type="checkbox"/> | 187AA29 | E0973 | <b>Single-Post Height Adj. Low</b>  | \$285 |
| <input type="checkbox"/> | 187AM23 |       | Desk Classic                        | NC    |
| <input type="checkbox"/> | 187AM21 |       | Desk Contour                        | NC    |
| <input type="checkbox"/> | 187AM24 |       | Full Classic                        | NC    |
| <input type="checkbox"/> | 187AM22 |       | Full Contour                        | NC    |

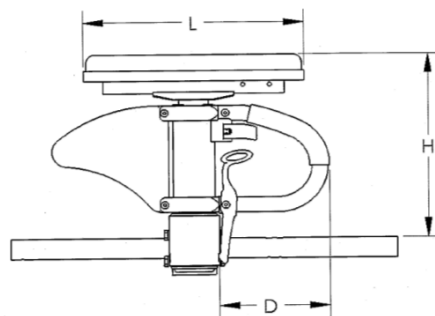
| Armrest Size | Transfer Tube Length (D) | Receiver | CLASSIC PAD        |                |      |
|--------------|--------------------------|----------|--------------------|----------------|------|
|              |                          |          | Height Range (H)   | Pad Length (L) |      |
|              |                          |          |                    | Desk           | Full |
| STD          | 8"                       | STD      | 10-3/4" to 15-3/4" | 10-1/4"        | 14"  |
|              |                          | LOW      | 8-3/4" to 13-3/4"  |                |      |
| LOW          | 5-1/4"                   | STD      | 9" to 13"          | 10-1/4"        | 14"  |
|              |                          | LOW      | 7-1/4" to 11-1/4"  |                |      |

| Armrest Size | Transfer Tube Length (D) | Receiver | CONTOUR PAD       |                |         |
|--------------|--------------------------|----------|-------------------|----------------|---------|
|              |                          |          | Height Range (H)  | Pad Length (L) |         |
|              |                          |          |                   | Desk           | Full    |
| STD          | 8"                       | STD      | 10" to 15"        | 10-1/2"        | 14-1/4" |
|              |                          | LOW      | 8-1/4" to 12-1/2" |                |         |
| LOW          | 5-1/4"                   | STD      | 8-1/2" to 12-1/2" | 10-1/2"        | 14-1/4" |
|              |                          | LOW      | 6-3/4" to 10-3/4" |                |         |

**Armrest Matrix for Single-Post**



## 9. KEY OPTIONS

### Back Pack *(Kids Backpack included)*

|                          |       |                                |      |
|--------------------------|-------|--------------------------------|------|
| <input type="checkbox"/> | 187A1 | Utility Backpack - Black       | \$75 |
| <input type="checkbox"/> | 187A2 | Additional Kids Black Backpack | \$60 |

### Seat Pouch

|                          |       |       |      |
|--------------------------|-------|-------|------|
| <input type="checkbox"/> | 187A8 | Black | \$50 |
|--------------------------|-------|-------|------|

### Miscellaneous

|                          |        |          |      |
|--------------------------|--------|----------|------|
| <input type="checkbox"/> | 187A83 | Tool Kit | \$45 |
|--------------------------|--------|----------|------|

### Spoke Guard

*(N/A with 12", 16" and 18" rear wheels & Projections Handrims)*

|                          |        |       |              |       |
|--------------------------|--------|-------|--------------|-------|
| <input type="checkbox"/> | 187A23 | K0065 | Black        | \$115 |
| <input type="checkbox"/> | 187A24 | K0065 | Clear Zippie | \$115 |

### Anti Tips

|                          |        |       |  |       |
|--------------------------|--------|-------|--|-------|
| <input type="checkbox"/> | 187AO1 | E0971 | Front Anti-Tip<br><i>(N/A with caster pin locks)<br/>(N/A with transit option)</i> | \$150 |
| <input type="checkbox"/> | 187AT1 | E0971 | Rear Anti-Tip  | \$140 |

### Positioning Belt *(w/ clamps)*

|                          |         |       |                                  |       |
|--------------------------|---------|-------|----------------------------------|-------|
| <input type="checkbox"/> | 187A112 | E0978 | 1" Dual Pull Side Squeeze Padded | \$85  |
| <input type="checkbox"/> | 187A117 | E0978 | Belt 2" Aircraft Buckle          | \$110 |
| <input type="checkbox"/> | 187A118 | E0978 | Belt 2" Aircraft Buckle Padded   | \$120 |
| <input type="checkbox"/> | 187A141 | E0978 | Belt 1.5" Auto Buckle w/ Clamps  | \$70  |
| <input type="checkbox"/> | 187A814 | E0978 | 1" Comfort Fit APB5116           | \$120 |

### Canopy (SunShade)

*(Need 2" back post clearance to mount canopy hardware, may require next height based on seating; please note some interference may occur with some headrest configurations)*

|                          |         |       |                                 |       |
|--------------------------|---------|-------|---------------------------------|-------|
| <input type="checkbox"/> | 1878A06 | K0108 | Canopy (Sunshade) 10"-14" Width | \$275 |
| <input type="checkbox"/> | 1878A07 | K0108 | Canopy (Sunshade) 15"-20" Width | \$275 |

### Upper Extremity Support Tray

*When ordering a tray with full armrest or desk armrest pads, add 1" to seat width to determine best tray size.*

|                          |        |       |                                       |       |
|--------------------------|--------|-------|---------------------------------------|-------|
| <input type="checkbox"/> | 187A29 | E0950 | X-Sm <i>(Suggested 10"-12" Width)</i> | \$255 |
| <input type="checkbox"/> | 187A30 | E0950 | Sm <i>(Suggested 13"-14" Width)</i>   | \$255 |
| <input type="checkbox"/> | 187A31 | E0950 | Med <i>(Suggested 15"-17" Width)</i>  | \$255 |
| <input type="checkbox"/> | 187A32 | E0950 | Lrg <i>(Suggested 18"-20" Width)</i>  | \$255 |

## 10. FRAME COLOR

### Standard Colors

|                          |         |                                     |    |
|--------------------------|---------|-------------------------------------|----|
| <input type="checkbox"/> | 187C140 | Aztec Gold                          | NC |
| <input type="checkbox"/> | 187C2   | Black <i>(N/A as base w/ Zebra)</i> | NC |
| <input type="checkbox"/> | 187C141 | Black Cherry                        | NC |
| <input type="checkbox"/> | 187C10  | Black Opal                          | NC |
| <input type="checkbox"/> | 187C38  | Blue Opal                           | NC |
| <input type="checkbox"/> | 187C36  | Candy Blue                          | NC |
| <input type="checkbox"/> | 187C14  | Candy Purple                        | NC |
| <input type="checkbox"/> | 187C35  | Candy Red                           | NC |
| <input type="checkbox"/> | 187C142 | Electric Blue                       | NC |
| <input type="checkbox"/> | 187C143 | Evergreen                           | NC |
| <input type="checkbox"/> | 187C126 | Glow                                | NC |
| <input type="checkbox"/> | 187C144 | Green Apple                         | NC |
| <input type="checkbox"/> | 187C147 | Hot Sparkle Pink                    | NC |
| <input type="checkbox"/> | 187C148 | Mauve Pink                          | NC |
| <input type="checkbox"/> | 187C103 | Rootbeer                            | NC |
| <input type="checkbox"/> | 187C114 | Sparkle Silver                      | NC |
| <input type="checkbox"/> | 187C145 | Sunrise Orange                      | NC |
| <input type="checkbox"/> | 187C113 | Titanium Color Paint                | NC |
| <input type="checkbox"/> | 187C8   | Yellow                              | NC |

### Standard Matte Colors

|                          |         |                     |    |
|--------------------------|---------|---------------------|----|
| <input type="checkbox"/> | 187C116 | Matte Black         | NC |
| <input type="checkbox"/> | 187C151 | Matte Black Cherry  | NC |
| <input type="checkbox"/> | 187C152 | Matte Purple        | NC |
| <input type="checkbox"/> | 187C150 | Matte Electric Blue | NC |
| <input type="checkbox"/> | 187C149 | Matte Evergreen     | NC |

### Custom Colors

|                          |         |  |       |
|--------------------------|---------|--|-------|
| <input type="checkbox"/> | 187C43  | Mossy Oak Camouflage   | \$395 |
| <input type="checkbox"/> | 187C42  | Stars and Stripes  | \$395 |
| <input type="checkbox"/> | 187C108 | Zebra<br><i>(Choose base color above: White Std. N/A black, black opal, matte black or titanium)</i> | \$395 |

### Additional Options Through Built-4-Me

To inquire about any unique customization for Zippie products, contact: Phone: (800) 333-4000, Fax: (800) 333-9011



#### Commonly Requested Options Include:

- ✓ Dynamic Back
- ✓ Reclining Backrest
- ✓ Custom Anodizing
- ✓ Custom Paint
- ✓ O2 Holder with Transit
- ✓ IV Pole with Transit



Sunrise Medical (US) LLC  
2842 Business Park Ave. · Fresno, CA 93727 · USA