



Zippie Zone

February 2024

EIRZ1

Date: _____ Dealer Acct #: _____ Dealer: _____ Dealer Contact: _____ Dealer Address: _____ Dealer City: _____ ST: _____ ZIP: _____ Dealer Phone: () _____ Fax: () _____ Confirm Via: <input type="checkbox"/> Fax <input type="checkbox"/> Email Mark For: _____	SUBMITTING FOR: <input type="checkbox"/> Quote <input type="checkbox"/> Order PO#: _____ Ship To: _____ Attention: _____ Address: _____ Address: _____ Ship To City: _____ ST: _____ ZIP: _____ Ship To Phone: () _____ Fax: () _____
--	---

The HCPCS CODES herein are based on PDAC verification or interpretation of Medicare definitions and guidelines. Non-Medicare payers may accept alternative HCPCS CODES, including misc. codes to ensure access for their enrollees. The use of HCPCS CODES does not ensure coverage or payment.

✓	Option #	HCPCS	Definition	Price	✓	Option #	HCPCS	Definition	Price
---	----------	-------	------------	-------	---	----------	-------	------------	-------

1. FRAME STYLE

Frame w/ seating				
<input type="checkbox"/>	190FS38	E1235	Zippie Zone w/ seating	\$3,074
<input type="checkbox"/>	190FS39	E1235	Zippie Zone, Flared w/ seating <i>(Increase of total frame length approx. 2" - 1" per side flare.)</i>	\$3,111

Note: HCPCS Codes shown as submitted. Some sizes fit other HCPCS codes i.e. 15"-16" widths = K0005

Frame w/o seating				
<input type="checkbox"/>	190FS40	E1237	Zippie Zone w/o seating	\$2,874
<input type="checkbox"/>	190FS41	E1237	Zippie Zone, Flared w/o seating <i>(Increase of total frame length approx. 2" - 1" per side flare.)</i>	\$2,902

Note: HCPCS Codes shown as submitted. Some sizes fit other HCPCS codes i.e. 15"-16" widths = K0005

2. TRANSIT

<input type="checkbox"/>	190TO41	K0108	Transit Option <i>(Rear frame extends 1" to accom. transit & not lose depth adj. range; N/A w/ 18" depth; N/A w/ seat ht. below 15" w/ inset frame)</i>	\$367
--------------------------	---------	-------	--	-------

3. FRAME SEATUP

Frame Angle				
<input type="checkbox"/>	190FA8		80° Frame Angle	NC

Frame Inset Per Side (Footrest)				
<input type="checkbox"/>	190FF1		0"	NC
<input type="checkbox"/>	190FF2		1" <i>(N/A 8"-9" frame width or with flared frame)</i>	NC

4. FRAME WIDTH

<input type="checkbox"/>	190W35		8" (N/A w/ 17"-18" depth)	NC
<input type="checkbox"/>	190W36		9" (N/A w/ 17"-18" depth)	NC
<input type="checkbox"/>	190W1		10" (N/A w/ 17"-18" depth)	NC
<input type="checkbox"/>	190W2		11" (N/A w/ 17"-18" depth)	NC
<input type="checkbox"/>	190W3		12"	NC

<input type="checkbox"/>	190W4		13"	NC
<input type="checkbox"/>	190W5		14"	NC
<input type="checkbox"/>	190W6		15"	NC
<input type="checkbox"/>	190W7		16"	NC

5. SEAT DEPTH (FRAME DEPTH)

For additional caster/wheel clearance you can choose a different frame length and sling depth (i.e. shorter sling vs longer frame to allow more wheel/caster combos.)

<input type="checkbox"/>	190SD2		9" (Frame grows 10" - 12")	NC
<input type="checkbox"/>	190SD3		10" (Frame grows 11" - 13")	NC
<input type="checkbox"/>	190SD4		11" (Frame grows 12" - 14")	NC
<input type="checkbox"/>	190SD5		12" (Frame grows 13" - 15")	NC
<input type="checkbox"/>	190SD6		13" (Frame grows 14" - 16")	NC

<input type="checkbox"/>	190SD7		14" (Frame grows 15" - 17")	NC
<input type="checkbox"/>	190SD8		15" (Frame grows 16" - 18")	NC
<input type="checkbox"/>	190SD9		16" (Frame grows 17" - 18")	NC
<input type="checkbox"/>	190SD10		17" (Frame grows 18")	NC
<input type="checkbox"/>	190SD11		18" (No Depth Growth) <i>(N/A with Transit)</i>	NC

6. SLING DEPTH

For additional caster/wheel clearance you can choose a different frame length and sling depth (i.e. shorter sling vs longer frame to allow more wheel/caster combos.)

<input type="checkbox"/>	190GJ1	8" (Sling Grows 9"-10")	NC	<input type="checkbox"/>	190GJ6	13" (Sling Grows 14"-15")	NC
<input type="checkbox"/>	190GJ2	9" (Sling Grows 10"-11")	NC	<input type="checkbox"/>	190GJ7	14" (Sling Grows 15"-16")	NC
<input type="checkbox"/>	190GJ3	10" (Sling Grows 11"-12")	NC	<input type="checkbox"/>	190GJ8	15" (Sling Grows 16"-17")	NC
<input type="checkbox"/>	190GJ4	11" (Sling Grows 12"-13")	NC	<input type="checkbox"/>	190GJ9	16" (Sling Grows 17"-18")	NC
<input type="checkbox"/>	190GJ5	12" (Sling Grows 13"-14")	NC	<input type="checkbox"/>	190GJ10	17" (Sling Grows 18")	NC
				<input type="checkbox"/>	190GJ11	18" (No Growth)	NC

7. SEATING

Seating Systems

<input type="checkbox"/>	190OP05	Ultra Seat Sling (Tension Adjustable)	NC
<input type="checkbox"/>	190OP04	Omit Seat Sling	NC

JAY Cushions (Optional)

To order any JAY cushions on-chair, please see the JAY price list.

Cushion name or part number must be filled out with desired width and depth

<input type="checkbox"/>	190JC20	JAY Bundled Cushion	Price List
		Cushion Name or Part #	
		Width (in.) Depth (in.):	

8. BACKREST

Backrest Type

<input type="checkbox"/>	190BT96	Folding Angle Adj. w/ Double Lock Down	NC
--------------------------	---------	--	----

Backrest Upholstery

Must complete Section A on next page

<input type="checkbox"/>	190BU1	Standard Upholstery (N/A with Fold Down Push Handles)	NC
<input type="checkbox"/>	190BU72	Omit Std. Upholstery (N/A with Fold Down Push Handles) (Default when choose w/o seating)	NC

Must complete Section B on next page

<input type="checkbox"/>	190BU70	E2611	Tension Adj. Ballistic Nylon 186BU70 (N/A with 8"-9" widths)	\$360
<input type="checkbox"/>	190BU73		Omit Tens. Adj. Ballistic Nylon	NC

JAY Backs (Optional)

To order any JAY backs on-chair, please see the JAY Price Lst. Requires Part #

<input type="checkbox"/>	190JB02	JAY Bundled Backrest	Price List
		Backrest Name or Part #	
		Width (in.) Height (in.):	

Backrest Handle Option (Stroller Handle)

8"-10" widths have a single stroller handle; omit push handle recommended. Receiver places handle outside std. 2" extension and inside 4" ext. Double "D" tubing to eliminate rotation.

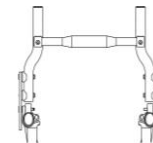
<input type="checkbox"/>	190A192	Telescoping Push Handles (19" from Seat)	\$245
<input type="checkbox"/>	190A195	Telescoping Push Handles - Tall (25" from seat to push handle)	\$245

Backrest Extension

Standard Extension 2"

<input type="checkbox"/>	190OD20	Rear Backrest Extension Brackets (4" overall)	\$108
--------------------------	---------	--	-------

SECTION A - Standard Upholstery



1A: OMIT PUSH HANDLE OPTIONS W/ STANDARD UPHOLSTERY OR WHEN OMITTING UPHOLSTERY

<input type="checkbox"/>	190PH2	Omit Push Handles	NC		
Choose 0 or 1" Inset and Back Height					
OR	<input type="checkbox"/>	190D7	0 inset (straight back tubes)	NC	
		Setting	6"- 8" Back Height	NC	
			<input type="checkbox"/> 6" <input type="checkbox"/> 7" <input type="checkbox"/> 8"		
		Setting	9" - 13" Back Height	NC	
			<input type="checkbox"/> 9" <input type="checkbox"/> 10" <input type="checkbox"/> 11" <input type="checkbox"/> 12" <input type="checkbox"/> 13"		
		Setting	13" - 17" Back Height	NC	
			<input type="checkbox"/> 13" <input type="checkbox"/> 14" <input type="checkbox"/> 15" <input type="checkbox"/> 16" <input type="checkbox"/> 17"		
		Setting	15" - 18" Back Height	NC	
			<input type="checkbox"/> 15" <input type="checkbox"/> 16" <input type="checkbox"/> 17" <input type="checkbox"/> 18"		
		<input type="checkbox"/>	190D5	1" inset (N/A 8"-9" widths)	\$92
		Setting	11" - 13" Back Height	NC	
			<input type="checkbox"/> 11" <input type="checkbox"/> 12" <input type="checkbox"/> 13"		
	Setting	14" - 16" Back Height	NC		
		<input type="checkbox"/> 14" <input type="checkbox"/> 15" <input type="checkbox"/> 16"			
	Setting	16" - 18" Back Height	NC		
		<input type="checkbox"/> 16" <input type="checkbox"/> 17" <input type="checkbox"/> 18"			

2A: INTEGRAL PUSH HANDLE OPTIONS W/ STANDARD UPH.

<input type="checkbox"/>	190PH6	Integral Push Handles	NC		
Choose 0 or 1" Inset and Back Height					
OR	<input type="checkbox"/>	190D7	0 inset (straight back tubes)	NC	
		Setting	9"-10" Back Height	NC	
			<input type="checkbox"/> 9" <input type="checkbox"/> 10"		
		Setting	11" - 15" Back Height	NC	
			<input type="checkbox"/> 11" <input type="checkbox"/> 12" <input type="checkbox"/> 13" <input type="checkbox"/> 14" <input type="checkbox"/> 15"		
		Setting	13" - 16" Back Height	NC	
			<input type="checkbox"/> 13" <input type="checkbox"/> 14" <input type="checkbox"/> 15" <input type="checkbox"/> 16"		
		Setting	15" - 18" Back Height	NC	
			<input type="checkbox"/> 15" <input type="checkbox"/> 16" <input type="checkbox"/> 17" <input type="checkbox"/> 18"		
		<input type="checkbox"/>	190D5	1" inset (N/A 8"-9" widths)	\$92
		Setting	12" - 14" Back Height	NC	
			<input type="checkbox"/> 12" <input type="checkbox"/> 13" <input type="checkbox"/> 14"		
	Setting	14" - 16" Back Height	NC		
		<input type="checkbox"/> 14" <input type="checkbox"/> 15" <input type="checkbox"/> 16"			
	Setting	16" - 18" Back Height	NC		
		<input type="checkbox"/> 16" <input type="checkbox"/> 17" <input type="checkbox"/> 18"			

SECTION B - Tension Adjustable Ballistic Nylon

1B: OMIT PUSH HANDLE OPTIONS W/ TENSION ADJ.

<input type="checkbox"/>	190PH2	Omit Push Handles	NC		
Choose 0 or 1" Inset and Back Height					
OR	<input type="checkbox"/>	190D7	0 inset (straight back tubes)	NC	
		Setting	11" - 14" Back Height	NC	
			<input type="checkbox"/> 11" <input type="checkbox"/> 12" <input type="checkbox"/> 13" <input type="checkbox"/> 14"		
		Setting	13" - 15" Back Height	NC	
			<input type="checkbox"/> 13" <input type="checkbox"/> 14" <input type="checkbox"/> 15"		
		Setting	15" - 18" Back Height	NC	
			<input type="checkbox"/> 15" <input type="checkbox"/> 16" <input type="checkbox"/> 17" <input type="checkbox"/> 18"		
		<input type="checkbox"/>	190D5	1" inset (N/A 8"-11" widths)	\$92
		Setting	11" - 13" Back Height	NC	
			<input type="checkbox"/> 11" <input type="checkbox"/> 12" <input type="checkbox"/> 13"		
		Setting	14" - 16" Back Height	NC	
			<input type="checkbox"/> 14" <input type="checkbox"/> 15" <input type="checkbox"/> 16"		
	Setting	16" - 18" Back Height	NC		
		<input type="checkbox"/> 16" <input type="checkbox"/> 17" <input type="checkbox"/> 18"			

2B: INTEGRAL PUSH HANDLE OPTIONS W/ TENSION ADJ.

<input type="checkbox"/>		Integral Push Handles	NC		
Choose 0 or 1" Inset and Back Height					
OR	<input type="checkbox"/>	190D7	0 inset (straight back tubes)	NC	
		Setting	9"-10" Back Height	NC	
			<input type="checkbox"/> 9" <input type="checkbox"/> 10"		
		Setting	11" - 14" Back Height	NC	
			<input type="checkbox"/> 11" <input type="checkbox"/> 12" <input type="checkbox"/> 13" <input type="checkbox"/> 14"		
		Setting	13" - 16" Back Height	NC	
			<input type="checkbox"/> 13" <input type="checkbox"/> 14" <input type="checkbox"/> 15" <input type="checkbox"/> 16"		
		Setting	15" - 18" Back Height	NC	
			<input type="checkbox"/> 15" <input type="checkbox"/> 16" <input type="checkbox"/> 17" <input type="checkbox"/> 18"		
		<input type="checkbox"/>	190D5	1" inset (N/A 8"-11" widths)	\$92
		Setting	12" - 14" Back Height	NC	
			<input type="checkbox"/> 12" <input type="checkbox"/> 13" <input type="checkbox"/> 14"		
	Setting	14" - 16" Back Height	NC		
		<input type="checkbox"/> 14" <input type="checkbox"/> 15" <input type="checkbox"/> 16"			
	Setting	16" - 18" Back Height	NC		
		<input type="checkbox"/> 16" <input type="checkbox"/> 17" <input type="checkbox"/> 18"			

3B: FOLD DOWN PUSH HANDLE OPTIONS W/ TENSION ADJ.

<input type="checkbox"/>	190PH5	Fold Down Push Handles	\$102		
Choose 0 or 1" Inset and Back Height					
OR	<input type="checkbox"/>	190D7	0 inset (straight back tubes)	NC	
		Setting	11"-12" Back Height	NC	
			<input type="checkbox"/> 11" <input type="checkbox"/> 12"		
		Setting	13" - 16" Back Height	NC	
			<input type="checkbox"/> 13" <input type="checkbox"/> 14" <input type="checkbox"/> 15" <input type="checkbox"/> 16"		
		Setting	15" - 18" Back Height	NC	
			<input type="checkbox"/> 15" <input type="checkbox"/> 16" <input type="checkbox"/> 17" <input type="checkbox"/> 18"		
		<input type="checkbox"/>	190D5	1" inset (N/A 8"-11" widths)	\$92
		Setting	15" - 17" Back Height	NC	
			<input type="checkbox"/> 15" <input type="checkbox"/> 16" <input type="checkbox"/> 17"		
		Setting	17" - 18" Back Height	NC	
			<input type="checkbox"/> 17" <input type="checkbox"/> 18"		

9. ARMRESTS

Armrest - Padded Swing Away

With Transit, Lose 1" Seat Depth Growth

<input type="checkbox"/>	190AA23	E0973	Padded Swing Away - Low					\$258
	<input type="checkbox"/>	Setting	<input type="checkbox"/> 5"	<input type="checkbox"/> 6"	<input type="checkbox"/> 7"	<input type="checkbox"/> 8"	<input type="checkbox"/> 9"	
<input type="checkbox"/>	190AA18	E0973	Padded Swing Away - Std.					\$258
	<input type="checkbox"/>	Setting	<input type="checkbox"/> 9"	<input type="checkbox"/> 10"	<input type="checkbox"/> 11"	<input type="checkbox"/> 12"	<input type="checkbox"/> 13"	
			<input type="checkbox"/> 14"					

With Transit, Lose 1" Seat Depth Growth, below option adds 3" in Length

<input type="checkbox"/>	190AA127	E0973	Padded Swing Away +3" - Low					\$258
	<input type="checkbox"/>	Setting	<input type="checkbox"/> 5"	<input type="checkbox"/> 6"	<input type="checkbox"/> 7"	<input type="checkbox"/> 8"	<input type="checkbox"/> 9"	
<input type="checkbox"/>	190AA128	E0973	Padded Swing Away+3" - Std.					\$258
	<input type="checkbox"/>	Setting	<input type="checkbox"/> 9"	<input type="checkbox"/> 10"	<input type="checkbox"/> 11"	<input type="checkbox"/> 12"	<input type="checkbox"/> 13"	
			<input type="checkbox"/> 14"					

Armrest - T-Post Foam (see armrest matrix below)

<input type="checkbox"/>	190AA129	E0973	T-Post Foam xtra tall	\$239
<input type="checkbox"/>	190AA130	E0973	T-Post Foam 2x tall	\$239

Armrest - Height Adjustable (see armrest matrix below)

Comes with std. armrest receiver only - N/A with 8"-9" depths

<input type="checkbox"/>	190AA11	E0973	Single-Post Height Adj. Std. <i>(N/A with 8"-11" depths)</i>	\$326
<input type="checkbox"/>	190AM23		Desk Classic	NC
<input type="checkbox"/>	190AM21		Desk Contour	NC
<input type="checkbox"/>	190AM24		Full Classic	NC
<input type="checkbox"/>	190AM22		Full Contour	NC
<input type="checkbox"/>	190AA29	E0973	Single-Post Height Adj. Low. <i>(N/A with 8"-9" depths)</i>	\$326
<input type="checkbox"/>	190AM23		Desk Classic	NC
<input type="checkbox"/>	190AM21		Desk Contour	NC
<input type="checkbox"/>	190AM24		Full Classic	NC
<input type="checkbox"/>	190AM22		Full Contour	NC

Armrest Matrix for Single Post and T-Post

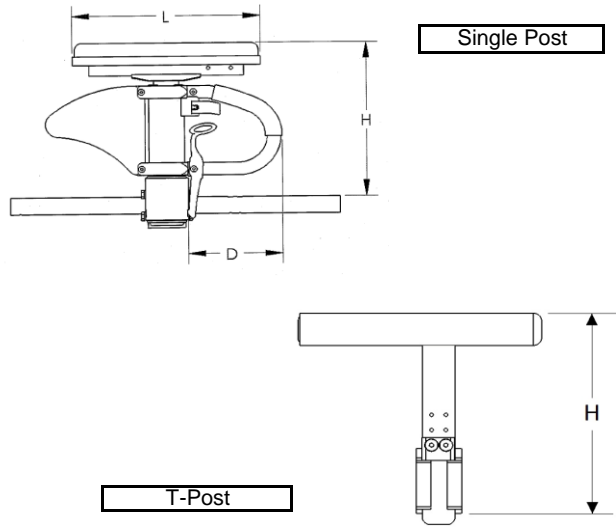
Armrest Size	Transfer Tube Length (D)	CLASSIC PAD		
		Height Range (H)	Pad Length (L)	
			Desk	Full
STD	8"	8" to 13"	10-1/4"	14"
LOW	5-1/4"	6-1/2" to 10-1/2"		

Armrest Size	Transfer Tube Length (D)	CONTOUR PAD		
		Height Range (H)	Pad Length (L)	
			Desk	Full
STD	8"	7-1/2" to 12-1/2"	10-1/2"	14-1/4"
LOW	5-1/4"	6" to 10"		

STD	8"	7-1/2" to 12-1/2"	10-1/2"	14-1/4"
LOW	5-1/4"	6" to 10"		

Armrest - T-Post Foam

Armrest Size	Height Range (H)	Pad Length (L)
Xtra Tall	6" to 7"	7-1/2"
2X Tall	7" to 8"	7-1/2"



10. FOOTRESTS

Front Seat Height Matrix

Footrest			
<input type="checkbox"/>	190F228	Aluminum Tubular	NC
<input type="checkbox"/>	190F273	Aluminum Tubular w/ Snap-On Cover	\$35
<input type="checkbox"/>	190F50	K0040 Aluminum Platform (8" width is only available with high mount option)	\$108
<input type="checkbox"/>	190F276	K0040 Angle Adj. Flip Back (N/A with 6" caster with an 8" width)	\$212

Adaptive Platform Spacers			
N/A with Aluminum Tubular. Now available with Angle Adj. Flip Back.			
<input type="checkbox"/>	190AD1	Adaptive Platform 2" Spacer	\$108
<input type="checkbox"/>	190AD2	Adaptive Platform 4" Spacer	\$108
<input type="checkbox"/>	190AD3	Adaptive Platform 6" Spacer	\$108

Footrest Options (see matrix below)			
<input type="checkbox"/>	190DI08	High Mount Ext Tubes (N/A w/ tubular footrest; N/A w/ 16" wide flared frame) **	\$86
<input type="checkbox"/>	190DI03	K0038 Leg Strap	\$46
<input type="checkbox"/>	190DI04	Extra Leg Strap	\$41
<input type="checkbox"/>	190DI05	Gel Hanger Cover	\$121
<input type="checkbox"/>	190DI07	Neoprene Impact Guards	\$103
<input type="checkbox"/>	190DI02	Wear Pads	\$57

SEAT SLING TO FOOTREST DISTANCE (based on 1" Seat Angle)

* Seat to Footrest distances may be +/- 1" from data shown dep. on frame type.

** High mount can adj. full range to seat sling

Note: Flip back may interfere with sling at highest settings.

FSH	Caster	*Minimum	*Maximum
14.5"	3"	10.4"	11.4"
14.5"	4"	9.4"	10.9"
15.0"	3"	11.4"	12.4"
15.0"	4"	10.4"	11.9"
15.0"	5"	9.4"	11.4"
15.5"	3"	11.4"	12.4"
15.5"	4"	10.4"	11.9"
15.5"	5"	10.4"	12.4"
15.5"	6"	9.4"	11.9"
16.0"	3"	12.4"	13.4"
16.0"	4"	12.4"	13.9"
16.0"	5"	10.4"	12.4"
16.0"	6"	10.4"	12.9"
16.5"	3"	12.4"	13.4"
16.5"	4"	11.4"	12.9"
16.5"	5"	10.4"	12.4"
16.5"	6"	10.4"	12.9"
17.0"	3"	13.4"	14.4"
17.0"	4"	12.4"	13.9"
17.0"	5"	11.4"	13.4"
17.0"	6"	11.4"	13.9"
17.5"	3"	13.4"	14.4"
17.5"	4"	12.4"	13.9"
17.5"	5"	11.4"	13.4"
17.5"	6"	11.4"	13.9"
18.0"	3"	14.4"	15.4"
18.0"	4"	13.4"	14.9"
18.0"	5"	12.4"	14.4"
18.0"	6"	11.4"	13.9"
18.5"	3"	14.4"	15.4"
18.5"	4"	14.4"	15.9"
18.5"	5"	12.4"	14.4"
18.5"	6"	12.4"	14.9"
19.0"	3"	14.4"	15.4"
19.0"	4"	14.4"	15.9"
19.0"	5"	12.4"	14.4"
19.0"	6"	12.4"	14.9"

Not Available with 1" Inset

Front Caster				
Rear Wheel Size	<input type="checkbox"/> 3"	<input type="checkbox"/> 4"	<input type="checkbox"/> 5"	<input type="checkbox"/> 6"
20"	<input type="checkbox"/> 14.0"	<input type="checkbox"/> 14.0"	N/A	N/A
	<input type="checkbox"/> 14.5"	<input type="checkbox"/> 14.5"		
	<input type="checkbox"/> 15.0"	<input type="checkbox"/> 15.0"	<input type="checkbox"/> 15.0"	
	<input type="checkbox"/> 15.5"	<input type="checkbox"/> 15.5"	<input type="checkbox"/> 15.5"	<input type="checkbox"/> 15.5"
	<input type="checkbox"/> 16.0"	<input type="checkbox"/> 16.0"	<input type="checkbox"/> 16.0"	<input type="checkbox"/> 16.0"
	<input type="checkbox"/> 16.5"	<input type="checkbox"/> 16.5"	<input type="checkbox"/> 16.5"	<input type="checkbox"/> 16.5"
	<input type="checkbox"/> 17.0"	<input type="checkbox"/> 17.0"	<input type="checkbox"/> 17.0"	<input type="checkbox"/> 17.0"
	<input type="checkbox"/> 17.5"	<input type="checkbox"/> 17.5"	<input type="checkbox"/> 17.5"	<input type="checkbox"/> 17.5"
	<input type="checkbox"/> 18.0"	<input type="checkbox"/> 18.0"	<input type="checkbox"/> 18.0"	<input type="checkbox"/> 18.0"
	<input type="checkbox"/> 18.5"	<input type="checkbox"/> 18.5"	<input type="checkbox"/> 18.5"	<input type="checkbox"/> 18.5"
<input type="checkbox"/> 19.0"	<input type="checkbox"/> 19.0"	<input type="checkbox"/> 19.0"	<input type="checkbox"/> 19.0"	
22"	<input type="checkbox"/> 15.5"	<input type="checkbox"/> 15.5"	<input type="checkbox"/> 15.5"	<input type="checkbox"/> 15.5"
	<input type="checkbox"/> 16.0"	<input type="checkbox"/> 16.0"	<input type="checkbox"/> 16.0"	<input type="checkbox"/> 16.0"
	<input type="checkbox"/> 16.5"	<input type="checkbox"/> 16.5"	<input type="checkbox"/> 16.5"	<input type="checkbox"/> 16.5"
	<input type="checkbox"/> 17.0"	<input type="checkbox"/> 17.0"	<input type="checkbox"/> 17.0"	<input type="checkbox"/> 17.0"
	<input type="checkbox"/> 17.5"	<input type="checkbox"/> 17.5"	<input type="checkbox"/> 17.5"	<input type="checkbox"/> 17.5"
	<input type="checkbox"/> 18.0"	<input type="checkbox"/> 18.0"	<input type="checkbox"/> 18.0"	<input type="checkbox"/> 18.0"
	<input type="checkbox"/> 18.5"	<input type="checkbox"/> 18.5"	<input type="checkbox"/> 18.5"	<input type="checkbox"/> 18.5"
	<input type="checkbox"/> 19.0"	<input type="checkbox"/> 19.0"	<input type="checkbox"/> 19.0"	<input type="checkbox"/> 19.0"
24"	<input type="checkbox"/> 16.0"	<input type="checkbox"/> 16.0"	<input type="checkbox"/> 16.0"	<input type="checkbox"/> 16.0"
	<input type="checkbox"/> 16.5"	<input type="checkbox"/> 16.5"	<input type="checkbox"/> 16.5"	<input type="checkbox"/> 16.5"
	<input type="checkbox"/> 17.0"	<input type="checkbox"/> 17.0"	<input type="checkbox"/> 17.0"	<input type="checkbox"/> 17.0"
	<input type="checkbox"/> 17.5"	<input type="checkbox"/> 17.5"	<input type="checkbox"/> 17.5"	<input type="checkbox"/> 17.5"
	<input type="checkbox"/> 18.0"	<input type="checkbox"/> 18.0"	<input type="checkbox"/> 18.0"	<input type="checkbox"/> 18.0"
	<input type="checkbox"/> 18.5"	<input type="checkbox"/> 18.5"	<input type="checkbox"/> 18.5"	<input type="checkbox"/> 18.5"
<input type="checkbox"/> 19.0"	<input type="checkbox"/> 19.0"	<input type="checkbox"/> 19.0"	<input type="checkbox"/> 19.0"	

FRONT SEAT HEIGHTS ARE SHOWN IN THE BOXES ABOVE.
 DEPENDING ON CG SETTING, SEAT DEPTH, AND FRAME SIZE SOME
 OF THE ABOVE SIZES MAY NOT BE AVAILABLE

11. CASTERS

Caster Wheel

<input type="checkbox"/>	190CW1		3" Micro	NC
<input type="checkbox"/>	190CW3		4" Low-Profile Polyurethane	NC
<input type="checkbox"/>	190CW31		4" Micro Light Up	\$80
<input type="checkbox"/>	190CW64		4" x 1.5" Aluminum Soft Roll	\$212
<input type="checkbox"/>	190CW5		5" Low-Profile Polyurethane	NC
<input type="checkbox"/>	190CW51		5" Micro Light Up	\$100
<input type="checkbox"/>	190CW6	E2219	5" Soft Roll (Grey) (N/A with Frog Legs)	\$103

<input type="checkbox"/>	190CW7		5"x1.5" Semi-Pneumatic	\$98
<input type="checkbox"/>	190CW66		5"x1.5" Aluminum Soft Roll	\$223
<input type="checkbox"/>	190CW34		6" Poly	NC
<input type="checkbox"/>	190CW35		6"x1.5" Semi-Pneumatic	\$98

Caster Forks and Suspension

<input type="checkbox"/>	190CF65		Multiple Position	NC
<input type="checkbox"/>	190CF69		Multi Position Single Sided	\$144
<input type="checkbox"/>	190CF53	E1015	Frog Legs 0 - 100 lbs.	\$497
<input type="checkbox"/>	190CF70	E1015	Frog Legs 101 - 165 lbs.	\$497

12. AXLES AND WHEELS

Axle Plate

<input type="checkbox"/>	190AL61		Adjustable (COG Adjustable -0.25" through 2.25" in 0.25" increments)	NC
--------------------------	---------	--	---	----

Center of Gravity Preset

Dependent on wheels, casters & depth

<input type="checkbox"/>	190CC21		-0.25"	NC
<input type="checkbox"/>	190CC26		0.00" (Flush w/ backrest)	NC
<input type="checkbox"/>	190CC22		0.25"	NC
<input type="checkbox"/>	190CC16		0.50"	NC
<input type="checkbox"/>	190CC23		0.75"	NC
<input type="checkbox"/>	190CC20		1.00"	NC
<input type="checkbox"/>	190CC24		1.25"	NC
<input type="checkbox"/>	190CC15		1.50"	NC
<input type="checkbox"/>	190CC25		1.75"	NC
<input type="checkbox"/>	190CC17		2.00"	NC
<input type="checkbox"/>	190CC27		2.25"	NC

Camber

<input type="checkbox"/>	190C11		0°	NC
<input type="checkbox"/>	190C12		3°	NC
<input type="checkbox"/>	190C14		6° (N/A with Std Mag, 5 spk MAG Wheels and Hub locks or Side guard Hub locks)	NC

Rear Seat Height

Can not exceed 2.5" drop

<input type="checkbox"/>	190RH13		14"	NC
<input type="checkbox"/>	190RH14		14.5"	NC
<input type="checkbox"/>	190RH15		15"	NC
<input type="checkbox"/>	190RH16		15.5"	NC
<input type="checkbox"/>	190RH17		16"	NC
<input type="checkbox"/>	190RH18		16.5"	NC
<input type="checkbox"/>	190RH19		17"	NC
<input type="checkbox"/>	190RH26		17.5"	NC
<input type="checkbox"/>	190RH20		18"	NC
<input type="checkbox"/>	190RH27		18.5"	NC
<input type="checkbox"/>	190RH21		19"	NC

Rear Seat Height Minimum

Rear Wheel	14.0"	14.5"	15.0"	15.5"	16.0"	16.5"	17.0"	17.5"	18.0"	18.5"	19.0"
20"											
22"											
24"											

** With 22" & 24" rear wheels and KIK or HP Clinchers, you may get an additional 1/2" lower seat height in some scenarios.*

Rear Wheels

<input type="checkbox"/>	190RW3		20" Mag	NC
<input type="checkbox"/>	190RW8		22" Mag	NC
<input type="checkbox"/>	190RW1		24" Mag	NC
<input type="checkbox"/>	190RW103		20" Mag Wheel 5 Spoke	NC
<input type="checkbox"/>	190RW104		22" Mag Wheel 5 Spoke	NC
<input type="checkbox"/>	190RW102		24" Mag Wheel 5 Spoke	NC
<input type="checkbox"/>	190RW74		20" Lite Spoke Wheel	\$229
<input type="checkbox"/>	190RW75		22" Lite Spoke Wheel	\$229
<input type="checkbox"/>	190RW76		24" Lite Spoke Wheel	\$229
<input type="checkbox"/>	190RW06		22" Ultra lightweight Spoke Wheel 2.0	\$286
<input type="checkbox"/>	190RW10		24" Ultra Lightweight Spoke Wheel 2.0	\$286
<input type="checkbox"/>	190RW28		22" Spinergy SPOX Black Spokes	\$938
<input type="checkbox"/>	190RW95		24" Spinergy SPOX Black Spokes	\$938
<input type="checkbox"/>	190RW32		22" Spinergy LX Black Spokes	\$1,173
<input type="checkbox"/>	190RW98		24" Spinergy LX Black Spokes	\$1,173

Rear Wheel Tire

<input type="checkbox"/>	190RT3		Full Poly Tire	NC
<input type="checkbox"/>	190RT6	E2211 E2212	High Pressure Clincher	\$108
<input type="checkbox"/>	190RT38	E2218	SHOX Performance Poly	\$108
<input type="checkbox"/>	190RT27	E2211 E2212	Knobby V-TRAK by Kenda	\$108
<input type="checkbox"/>	190RT1		Pneumatic	NC
<input type="checkbox"/>	190RT2	E2211 E2213	Pneumatic Airless Insert	\$98
<input type="checkbox"/>	190RT21	E2211 E2212	Schwalbe Marathon Plus Evolution	\$161
<input type="checkbox"/>	190RT28	E2211 E2212	Schwalbe Speed	\$161
<input type="checkbox"/>	190RT4		Low Poly	NC

	Wheel	5 Spoke Mag	Mag	Lite Spoke	Ultra Light-weight	Spinergy
Full Poly Tire		20",22",24"	20",22",24"	20",22"	N/A	N/A
High Pressure Clincher		N/A	N/A	22",24"	24"	22",24"
SHOX Performance Poly		20",22",24"	24"	24"		24"
Knobby V-TRAK		N/A	N/A	24"	N/A	24"
Pneumatic		20",22",24"	20",22",24"	20",22",24"		22",24"
Pneumatic Airless Insert		20",22",24"	20",22",24"	20",22",24"		22",24"
Schwalbe Marathon Plus		N/A	N/A	24"	22",24"	22",24"
Schwalbe Speed Run		N/A	N/A	24"	24"	22",24"
Low Poly		24"	20",22",24"	20",22",24"	N/A	N/A

22" = 489 mm 24" = 540 mm

12. AXLES AND WHEELS (Cont.)

22" Rear Wheels w/ 5" Casters & 3° or 6° of Camber 0" Frame Inset

Not available in 12" or less seat depths

- 13" Seat Depth
- Must have front seat to floor height at least 17" in the front and 15-1/2" in the rear.
 - You can increase STFs but must keep 1-1/2" dump.
 - If you change camber to 0° you can get away with 1" dump
 - You must choose COG setting of -1/4".
- 14" Seat Depth
- Able to get away with 1" seat dump with a minimum of 15-1/2" in the Rear and 16-1/2" in Front.
 - Can have COG set as far forward as +1/4".
- 15" Seat Depth
- Able to get away with 1" seat dump with min of 15" Rear STF and 16" Front STF
 - COG can be adjusted as far forward as 1".

22" Rear Wheels w/ 4" Casters, 3° or 6° of Camber, and 0" Frame Inset

Not available in 8" or 9" seat depths.

- 10" Seat Depth
- Must have at least a 15" Rear STF and 16" Front STF.
 - COG setting must be -1/4".
 - If you increase Rear STF to 15-1/2" and 16-1/2" Front STF you can move COG to 0".
 - If you increase the dump to 1 1/2" (15 R-STF and 16 1/2" F-STF) or change Camber to 0 degrees you can increase COG to 1/4".
- 11" Seat Depth
- Same as 10" Seat Depth, just allows you to have COG setting a 1/4"
- 12" Seat Depth
- Must have at least 15" Rear STF and 15-1/2" Front STF.
 - COG setting can be as far forward as 1/2".
 - If you increase the dump to 1" instead of 1/2" you can increase COG as far forward as 1".

24" Rear Wheels w/ 4" Casters, 3° or 6° Camber, and 0" Frame Inset

Not available in 10" seat depths or less.

- 11" Seat Depth
- Must have at least a 16" Rear STF and 17" Front STF.
 - COG setting can be 0" or -1/4".
- 12" Seat Depth
- Must have at least 16" Rear STF and 17" Front STF.
 - COG setting can be as far forward as 1". (Camber must be 3 degrees)
 - If camber is 6° than COG can only be as far forward as 3/4"

Handrim

<input type="checkbox"/>	190HR1	Aluminum Anodized	NC
<input type="checkbox"/>	190HR4	Plastic Coated (N/A on Ultra)	\$126
<input type="checkbox"/>	190HR22	Natural Fit - Standard Grip (N/A on Ultra Lite, 20" Lite Spoke or 20" and 22" 5 spk MAG)	\$538
<input type="checkbox"/>	190HR23	Natural Fit - Super Grip (N/A on Ultra Lite, 20" Lite Spoke or 20" and 22" 5 spk MAG)	\$599
<input type="checkbox"/>	190HR30	Natural Fit LT - Standard Grip (N/A on Ultra Lite, 20" Lite Spoke or 20" and 22" 5 spk MAG)	\$538
<input type="checkbox"/>	190HR31	Natural Fit LT - Super Grip (N/A on Ultra Lite, 20" Lite Spoke or 20" and 22" 5 spk MAG)	\$599
<input type="checkbox"/>	190HR24	Spinergy Flex Rim (Only on 24" Spinergy LX)	\$800
<input type="checkbox"/>	190HR7	Omit Handrim (Only on Mag, 24 Spinergy)	NC

Axle

<input type="checkbox"/>	190AX1	Quick Release Steel	NC
--------------------------	--------	---------------------	----

Hub Lock

Only available with Lite Spokes; N/A with 6° camber

<input type="checkbox"/>	190LK03	Seat Frame Mount (Side Guard - See Below)	\$114
--------------------------	---------	--	-------

Side Guard (N/A with Ht. Adj. Armrest or T-Post)

<input type="checkbox"/>	190SG33	Plastic Standard (N/A 8"-9" depth; N/A w/ low padded swing aways.)	\$166
<input type="checkbox"/>	190SG29	Plastic Low (N/A 8"-9" depth; N/A w/ Padded Swing Aways low setting 5&6)	\$166
<input type="checkbox"/>	190SG7	Aluminum Folding	\$212

Aluminum Side Guard Color Option

Only available with Aluminum Side Guard

<input type="checkbox"/>	190GE01	Black	NC
<input type="checkbox"/>	190GE02	Matching Frame - Std. Colors	NC
<input type="checkbox"/>	190GE03	Matching Frame - Personalized Color	\$56

Anti-Tip

<input type="checkbox"/>	190AT1	E0971	Rear Anti-Tips (N/A w/ Dynamic Center Rear Caster)	\$172
--------------------------	--------	-------	---	-------

Dynamic Center Rear Caster

<input type="checkbox"/>	1908A20	E0971	Dynamic Center Rear Caster (N/A w/ Rear Anti-Tips)	\$338
--------------------------	---------	-------	---	-------

Wheel Lock

<input type="checkbox"/>	190WL1	High Mount Push	NC
<input type="checkbox"/>	190WL2	High Mount Pull	NC
<input type="checkbox"/>	190WL30	Compact	\$161
<input type="checkbox"/>	190WL10	Omit Wheel Lock	NC

Extension Handle

<input type="checkbox"/>	190EH1	E0961	6" Pair	\$86
--------------------------	--------	-------	---------	------

13. ACCESSORIES

Back Pack (Kids Backpack included)

<input type="checkbox"/>	190A1		Utility Backpack - Black	\$86
<input type="checkbox"/>	190A2		Additional Kids Black Backpack	\$69
<input type="checkbox"/>	190A8		Black Seat Pouch	\$57

Miscellaneous

<input type="checkbox"/>	190A203	E2207	Crutch Holder	\$223
<input type="checkbox"/>	190A83		Tool Kit	\$62

Positioning Belt (w/ clamps)

<input type="checkbox"/>	190A112	E0978	1" Dual Pull Side Squeeze Padded	\$98
<input type="checkbox"/>	190A117	E0978	Belt 2" Aircraft Buckle	\$126
<input type="checkbox"/>	190A118	E0978	Belt 2" Aircraft Buckle Padded	\$136
<input type="checkbox"/>	190A141	E0978	Belt 1.5" Auto Buckle w/ clamps	\$80
<input type="checkbox"/>	190A814	E0978	1" Comfort Fit APB5116	\$136
<input type="checkbox"/>	190A120	K0108	Positioning Belt Side Clamp	\$57

Spoke Guard

Not available with 5 spoke MAG wheels

<input type="checkbox"/>	190A23	K0065	Black	\$131
<input type="checkbox"/>	190A303	K0065	Spoke Guards Clear Zippie (N/A with Spinergy)	\$131

Upper Extremity Support Tray

<input type="checkbox"/>	190A29	E0950	X-Sm (Suggested 10"-12" Width)	\$292
<input type="checkbox"/>	190A30	E0950	Sm (Suggested 13"-14" Width)	\$292
<input type="checkbox"/>	190A31	E0950	Med (Suggested 15"-17" Width)	\$292
<input type="checkbox"/>	190A32	E0950	Lrg (Suggested 18"-20" Width)	\$305

Canopy

<input type="checkbox"/>	1908A06	K0108	Canopy (Sunshade) 10" - 17"	\$315
<input type="checkbox"/>	1908A07	K0108	Canopy (Sunshade) 18" - 20"	\$315

14. FRAME COLOR

Standard Colors

<input type="checkbox"/>	190C140		Aztec Gold	NC
<input type="checkbox"/>	190C118		Bead Blast	NC
<input type="checkbox"/>	190C2		Black (N/A as base w/ Zebra)	NC
<input type="checkbox"/>	190C141		Black Cherry	NC
<input type="checkbox"/>	190C10		Black Opal	NC
<input type="checkbox"/>	190C38		Blue Opal	NC
<input type="checkbox"/>	190C36		Candy Blue	NC
<input type="checkbox"/>	190C14		Candy Purple	NC
<input type="checkbox"/>	190C35		Candy Red	NC
<input type="checkbox"/>	190C142		Electric Blue	NC
<input type="checkbox"/>	190C143		Evergreen	NC
<input type="checkbox"/>	190C126		Glow	NC
<input type="checkbox"/>	190C144		Green Apple	NC
<input type="checkbox"/>	190C147		Hot Sparkle Pink	NC
<input type="checkbox"/>	190C148		Mauve Pink	NC
<input type="checkbox"/>	190C103		Rootbeer	NC
<input type="checkbox"/>	190C114		Sparkle Silver	NC
<input type="checkbox"/>	190C145		Sunrise Orange	NC
<input type="checkbox"/>	190C113		Titanium Color Paint	NC
<input type="checkbox"/>	190C8		Yellow	NC

Standard Matte Colors

<input type="checkbox"/>	190C116		Matte Black	NC
<input type="checkbox"/>	190C151		Matte Black Cherry	NC
<input type="checkbox"/>	190C152		Matte Purple	NC
<input type="checkbox"/>	190C150		Matte Electric Blue	NC
<input type="checkbox"/>	190C149		Matte Evergreen	NC

Personalized Colors

<input type="checkbox"/>	190C43		Mossy Oak Camouflage	\$451
<input type="checkbox"/>	190C42		Stars and Stripes	\$451
<input type="checkbox"/>	190C108		Zebra (Choose base color above: White Std. N/A black)	\$451

Anodized Color Package

Forks, Backrest Bracket, Rear Axle Sleeve; If Frog Legs are chosen, forks will be black

<input type="checkbox"/>	190EB07		Black	NC
<input type="checkbox"/>	190EB08		Blue	\$183
<input type="checkbox"/>	190EB13		Gold	\$183
<input type="checkbox"/>	190EB09		Green	\$183
<input type="checkbox"/>	190EB11		Red	\$183
<input type="checkbox"/>	190EB12		Ti Grey	\$183

Additional Options Through Built-4-Me

To inquire about any unique personalization for Quickie products, contact: Phone: (800) 333 - 4000, Fax: (800) 333 9011

Commonly Requested Options Include:

- ✓ Aluminum Seat Pan
- ✓ Swing Away Knee Aductor
- ✓ Height Adjustable Stroller Handle
- ✓ Removable Stroller Handle
- ✓ Personalized Paint and Anodizing



Sunrise Medical (US) LLC
2842 Business Park Ave. · Fresno, CA 93727 · USA